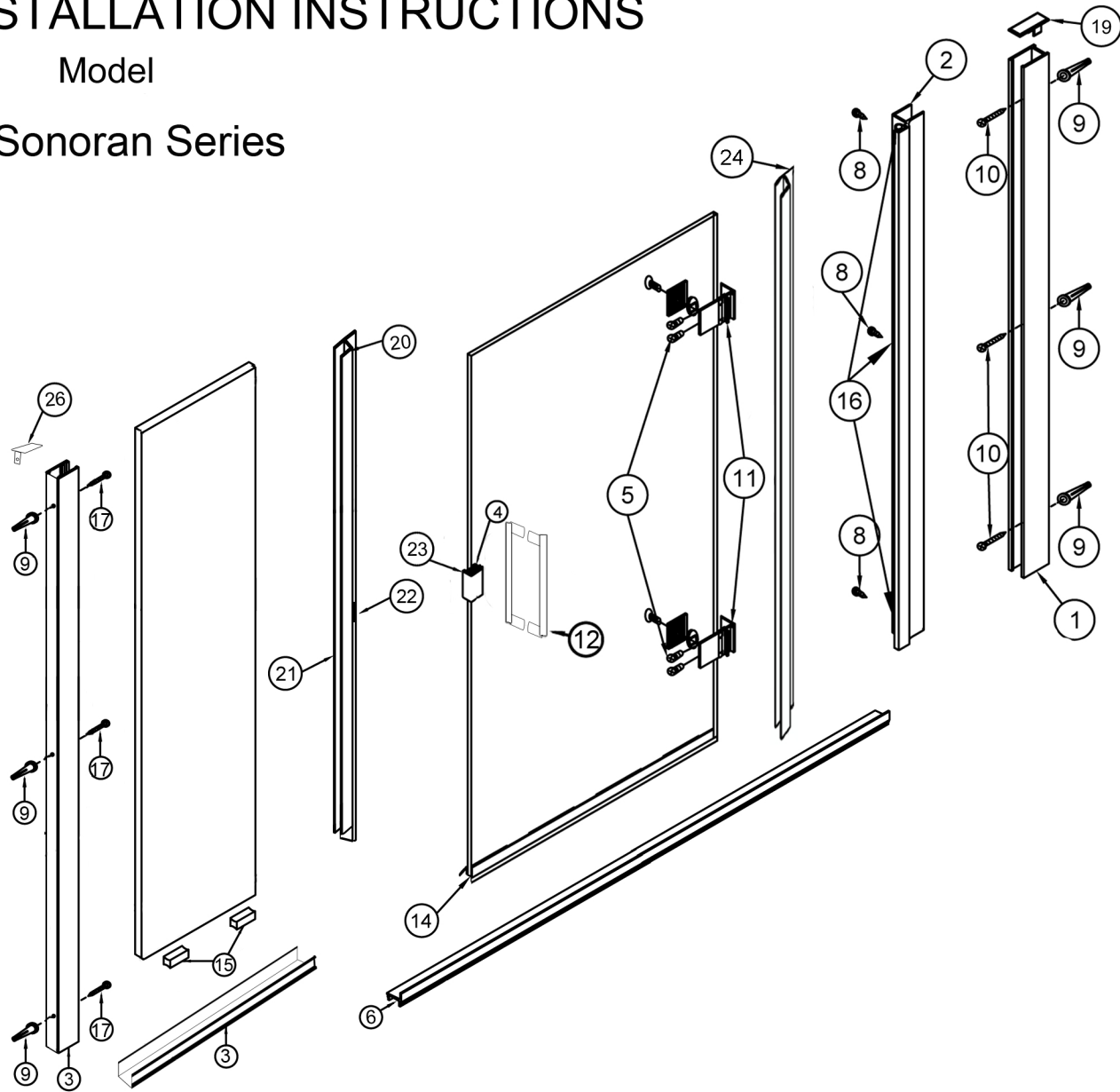


INSTALLATION INSTRUCTIONS

Model
Sonoran Series



When ordering replacement parts, please provide the following information:

1. Part Number
2. Part Name
3. Model Number
4. Specify design (if any)

To install your Shower Enclosure you will need the following:

- Level
- 1/8" and 9/64" Drill Bits
- (Tile) 3/16" Masonry Bit
- Phillips Screwdriver
- Sealant
- Hack Saw

#	Description	Qty.	Part #	Picture
1	Wall Channel Jambs	1	ZD-1006	
2	Mag Latch Jamb	1	ZD-8004	
3	3/4" Deep U-Channel	2	ZSS4104	
4	Mag U-Channel	1	MAG-4012	
5	#8 x 1/4SS	4	F8X1/4	
6	Dam Strip	1	ZD-2026	
8	#6X3/8" PH SMS		F6X3/8	
9	Wall Anchors	6	F8X11/4 ZV-935	
10	#8X1 1/4" PH SMS			
11	Mini Hinge	2	ASD-600F	
12	Square Pull	1	ASDSQ8X8	
14	Bottom Rail- Poly		ZVPMPPWS	
15	Glass Setting Blocks	2		
16	Bulb Seal	3	ZV-919	
17	U-Channel Inst. Screw	3	F6X11/4	
19	Top Cap	1	ZV940	
20	Strike Seal	1	ZVP04SEAL84	
21	PVC Strike Jamb	1	ZVP-043884	
22	Flat Magnet	1	MAG-4014	
23	Handle Gasket 1/4"	1	ZV-916	
24	Hinge Seal	1	P14WS	
26	U-Channel Cap	1	SDCEC38	

Arizona Corporate Office
2801 W. Indian School Rd
Phoenix, AZ 85017
800-255-1901 PH
602-447-8208 FAX

Florida
8100-1 Westside Industrial Dr
Jacksonville, FL 32219
855-695-8899 PH
904-786-9025 FAX

Illinois
2601 Bond St #1
University Park, IL 60484
800-861-6120 PH
708-235-0729 FAX

Oregon
2057 Lars Way
Medford, OR 97501
866-773-7905 PH
541-773-7909 FAX

Colorado
3871 Revere Street
Denver, CO 80239
866-574-1766 PH
303-574-1775 FAX

Utah
2594 S. 3600 West Suite A
West Valley City, UT 84119
877-402-5007 PH
801-972-3111 FAX

ARIZONA SHOWER DOOR

Tools you will need for this install

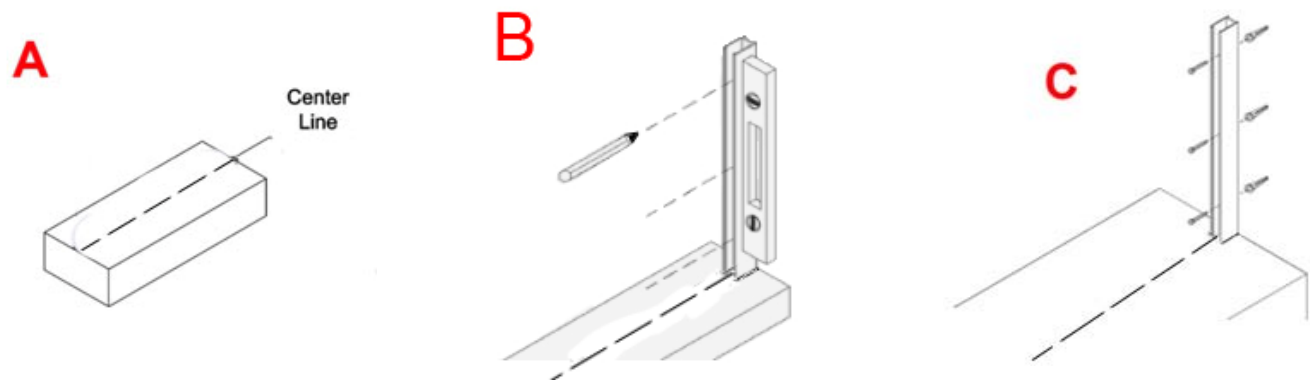
- ✓ Exploded View drawing of shower door
- ✓ 3/16" Masonry drill bit (use 9/64" drill bit for fiberglass)
- ✓ 1/8" drill bit
- ✓ Drill
- ✓ 4' Level
- ✓ Saw (Electric Chop saw or Hacksaw)
- ✓ Side cutting pliers
- ✓ #2 Phillips drill bit
- ✓ #2 Phillips screwdriver
- ✓ Tape Measure
- ✓ Pencil or Pen
- ✓ Caulking Gun
- ✓ 1-Tube of 100% Clear Silicone (no latex!)
- ✓ Vacuum Cleaner or Brush for clean up
- ✓ Glass Cleaner and Paper Towels
- ✓ Rubber Mallet
- ✓ File

INSTALLATION INSTRUCTIONS
FOR

MODEL - SONORAN

Note: These instructions will refer to the item #'s in the Exploded View drawing. For example, #1, #2, #3 etc...
Please read through **all** of the instructions to get an over-view **before** you install the shower door.

1) Installing Wall Jamb. Find the centerline of where the unit will be installed. This will usually be the center of the curb of the shower pan. **(A)** Place a centerline mark at each end of the curb where it meets the wall. This mark will also represent the center of the wall jamb **ZD1006 (#1)**. Next, place the wall jamb against the wall on the door side of opening. **(B)** Use a level to position the jamb plumb and mark the pre-drilled holes with a pen or pencil. Set the jamb aside and drill the 3 holes using a 3/16" masonry bit (Note: for fiberglass use 9/64" bit without using anchors). **(C)** Insert the (3) screw anchors **ZV935 (#9)** into the holes. Fasten the ZD1006 wall jamb in place using the **(3)-#8X1-1/4 (#10)** Phillips Pan Head screws provided.



2) Cutting the ZSS4104 Base U-Channel (#3) and Wall U-Channel (#1).

Measure the size of the fixed panel glass. With these measurements, determine the lengths of the ZSS4104 U-channels by using the guidelines on the right.

(#3) Wall Channel Size = Fixed Panel Height - 7/16"

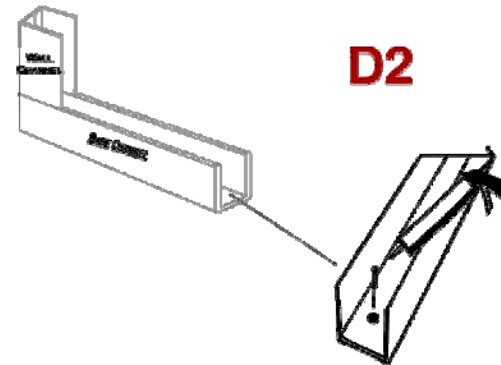
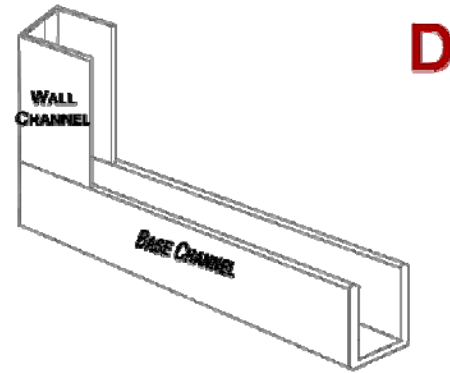
(#4) Base Channel Size = Fixed Panel Width + 5/16"

Note: The base channel will be installed tight to the wall and the wall channel will sit on top of the base channel.

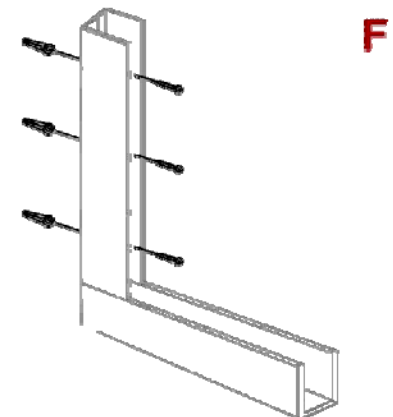
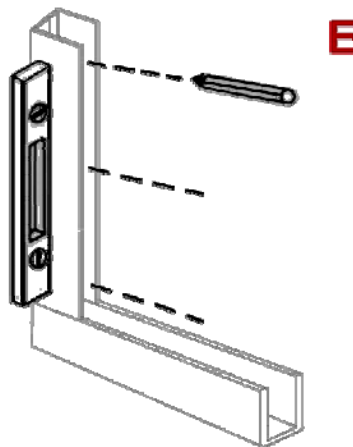
Note: The base channel will be installed tight to the wall and the wall channel will sit on top of the base channel.

3) Installing the ZSS4104 Base U-Channel (#3) and Wall U-Channel (#1).

(D) To install the wall channel, first drill three (3) 3/16" holes, one in the center and one on each end approximately 6" from top and bottom of the wall channel. These holes will be used to secure the channel to the wall. Set the wall channel on top of the base channel. Use the same procedure as above with the ZD1006 to install the ZSS4104 wall channel. **(E)** Use a level to position the channel plumb and mark the holes with a pen or pencil. Set the u-channel aside and drill the holes using a 3/16" masonry bit (Note: for fiberglass use 9/64" bit without using anchors). **(F)** Insert the screw anchors **ZV935 (#9)** into the holes. Fasten the wall channel in place using the **(3)-#6X1-1/4 (#17)** Phillips Flat Head screws provided.



Optional fastener for base U-Channel

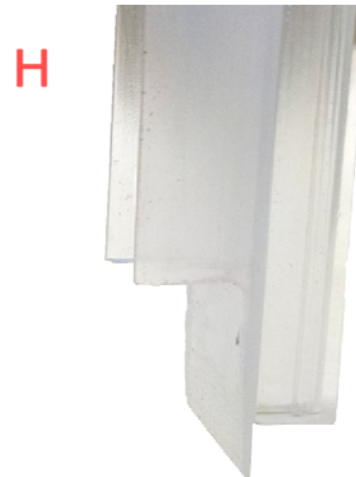
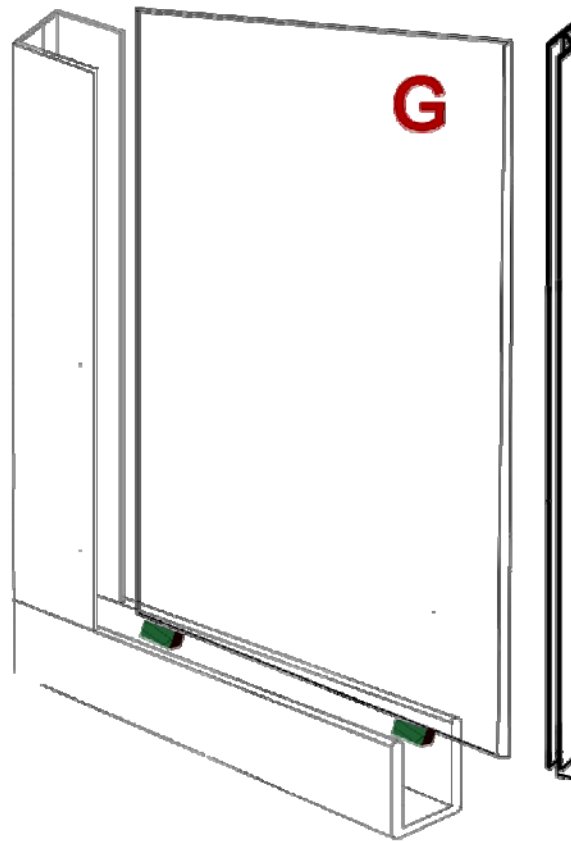


4) Setting the fixed panel. Once the base and wall u-channel are installed, place two setting blocks (#15) inside the base channel. Place the fixed panel glass inside the u-channel aligning the panel flush with the open side of the base channel. Use a level to make sure fixed panel is set plumb and level. **(G)**

5) Installing the Strike Jamb.

Note: Strike jamb ZVP043884 (#21) comes assembled with magnet MAG4014 (#22) and strike seal vinyl ZVP04SEAL84 (#20) already installed. Clear tape is used to hold them in place until installation. Remove tape after strike jamb installation is complete. The strike jamb is designed to be attached to the fixed panel so that the door opens out only. When installing the strike jamb, the magnet should be facing toward you as you are standing on the outside of the shower looking in. The magnet is to be centered with the handle on the door. There is a notch required at the bottom of the strike jamb in order to accommodate the u-channel. **(H)** Use a hacksaw or side cutting pliers to cut the notch. If necessary, use a file to clean up any sharp edges. The strike jamb is designed to sit on top of the dam strip and run the full height of the fixed panel. After notching the strike jamb, slide it over the edge of the glass until it is fully seated.

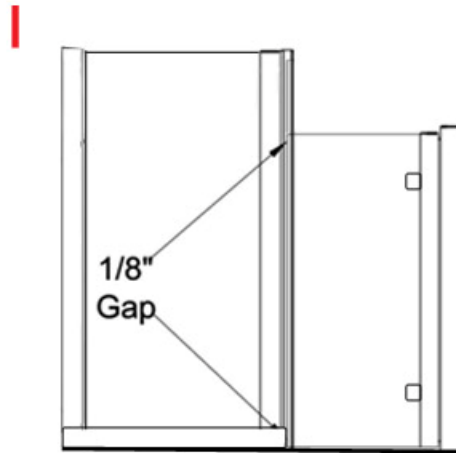
****Optional Flush Cut: Strike jamb can be flush cut to door height if desired. This can be done after door is installed and finished door height is determined.**



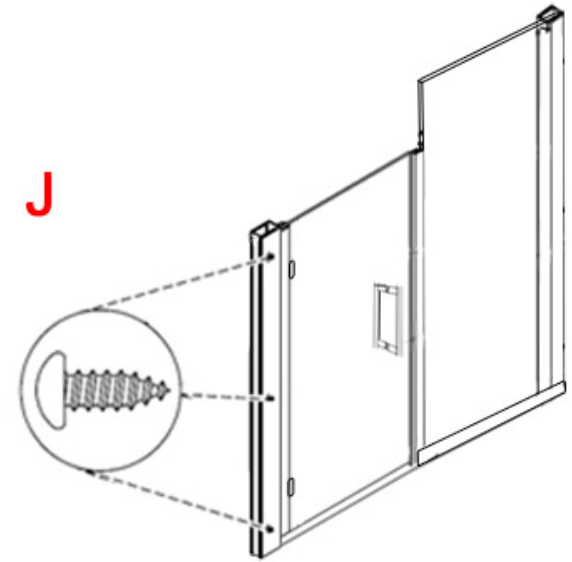
6) Attaching the Door. Slide the ZD8004 (#2) hinge jamb over the ZD1006 wall jamb. Do not fasten the door at this point. **Please note:** It will be helpful to have an assistant at this point to adjust and hold the door in place from the outside while you drill and fasten the hinge jamb from the inside. Square up the door and align the edge of the door glass parallel with the strike jamb, leaving a 1/8" gap between the two. **(I)** Attach the door by drilling the three holes on the inside of the unit where the jamb is pre-drilled using an 1/8" drill bit and secure with the **(3)-#6 x 3/8" (#8)** Pan head screws provided. **(J)**

7) Attaching the ASDSQ8X8 Handle (#12).

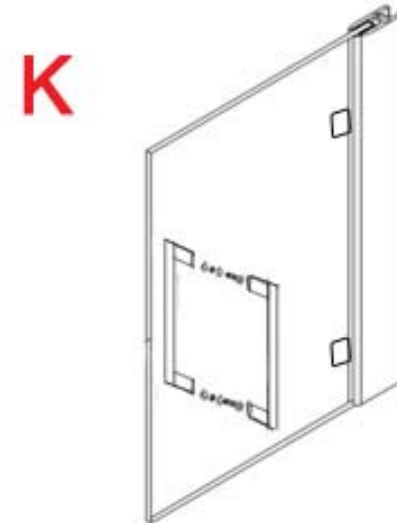
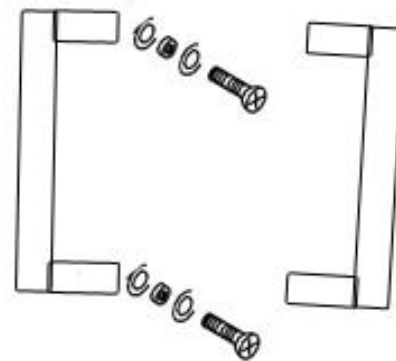
Take the two stud head mounting screws and sleeve one clear washer on each screw. Next, insert the clear grommets into the holes in the door. From the outside of the door, push the thread of the screws through the grommets in the holes in the glass. On the inside of the door, sleeve a clear washer onto the screws. Take the pull that has the threaded hole in the end and begin to thread the top screw into it and then the bottom screw. Tighten the stud head screws down with a screwdriver (not a drill). This pull will be on the inside of the door. Place the remaining pull, with the large holes and set screw, onto the stud heads of the screws. Tighten the set screws with Allen wrench provided. **(K)**



Outside View



Inside View



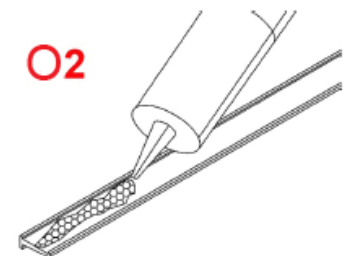
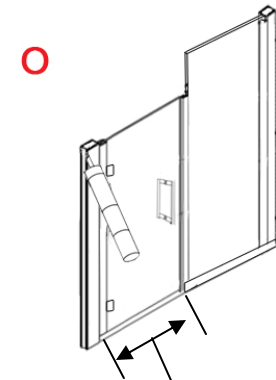
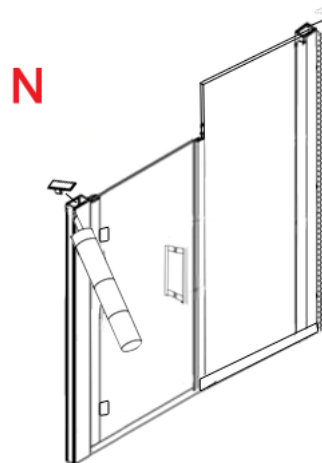
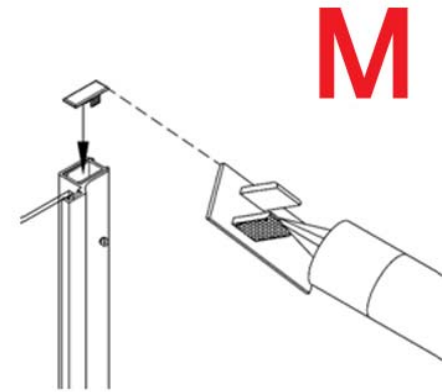
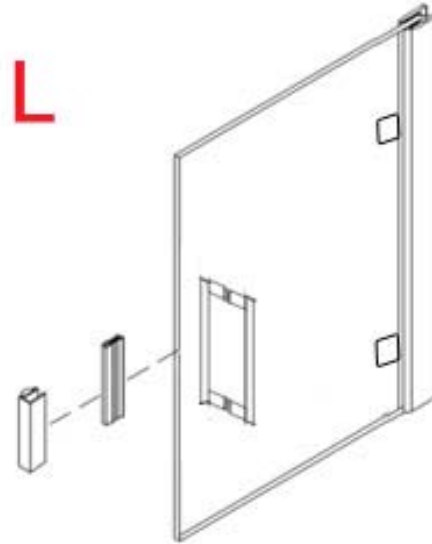
Next, attach the magnet catch **MAG4012 (#4)** by placing **ZV916 (#23)** vinyl over the edge of the glass then tapping catch over the gasket and onto the glass with a rubber mallet aligning it to the magnet on the strike jamb. **(L)**

8) Installing optional Finish Caps.

Place a small amount silicone on the legs of the **ZV940 Door Clip (#13)** and place it down into the top of the ZD1006 to cap the opening. You may have to trim them to fit with side cutting pliers. **(M)** Use the same procedure to install **SDCEC38 (#26)** to cap the top of the ZSS4104 wall u-channel. **(N)**

9) Installing the Dam Strip- ZD2026(#6)

First measure the distance between the ZD8004 and the fixed panel at bottom of curb. **(O)** Cut the ZD2026 to this dimension. Run a bead of silicone on the bottom of ZD2026 then set in place accordingly. **(O2)** Use tape to hold in place, preferably blue tape. This will secure it in place until installation is complete.



10) Sealing the Enclosure. Run a bead of silicone on the inside and outside where the wall jamb meets the shower wall and where the dam strip meets the curb. Inspect the install and caulk any gap that might let water through. Then run a small bead (inside and out) where the glass meets the U-channel, as well as where the channel meets the installation surface. (O)

(O)

