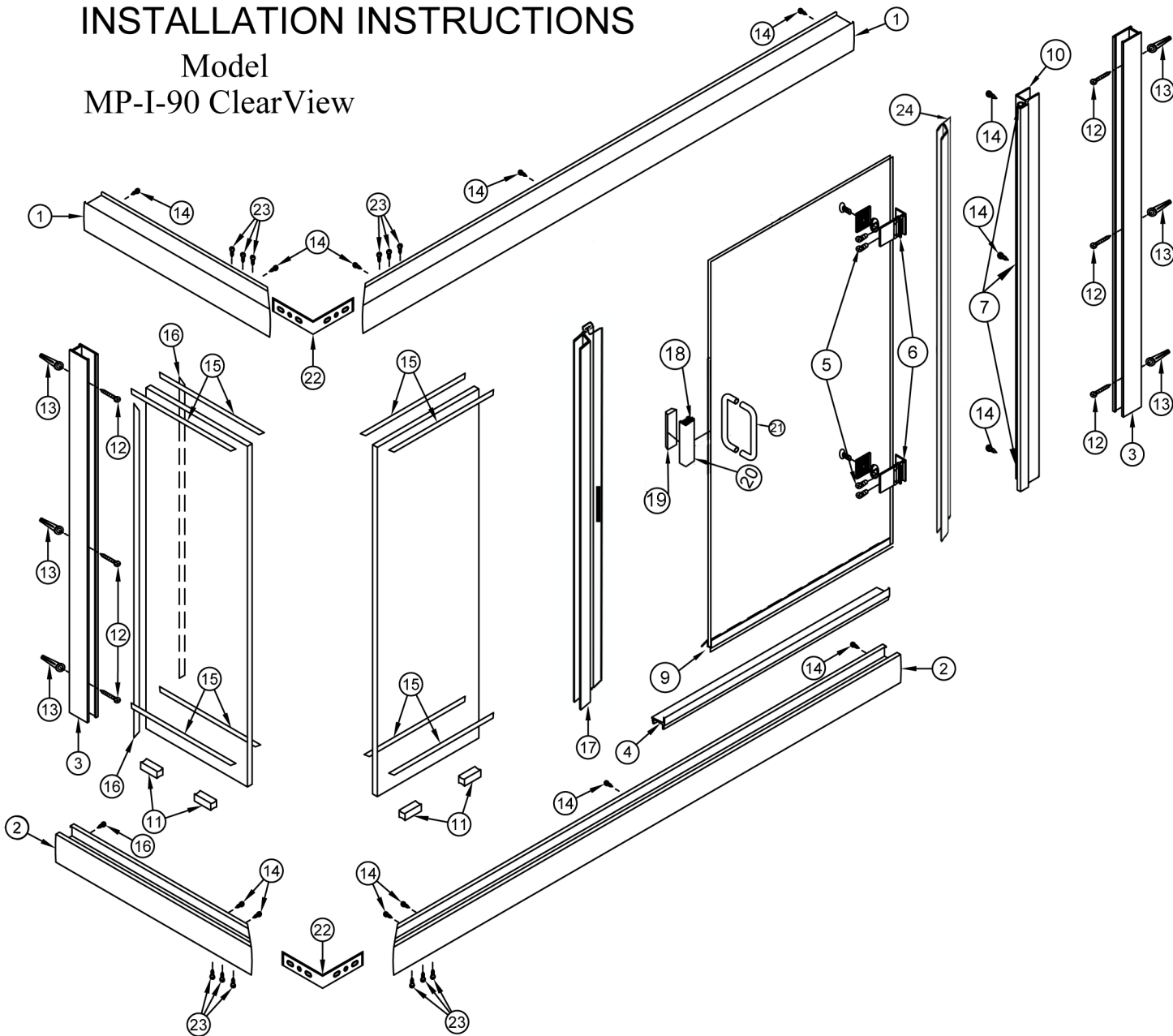


INSTALLATION INSTRUCTIONS

Model
MP-I-90 ClearView



When ordering replacement parts, please provide the following information:

1. Part Number
2. Part Name
3. Model Number
4. Specify design (if any)

To install your Shower Enclosure you will need the following:

- Level
- 1/8" and 9/64" Drill Bits
- (Tile) 3/16" Masonry Bit
- Phillips Screwdriver
- Sealant
- Hack Saw

#	Description	Qty.	Part #	Picture
1	Header	1	ZSS-2101	
2	Curb	1	ZSS-2101	
3	Wall Jamb	2	ZD-1006	
4	Snap-In Filler	2	ZSS-2102	
5	#8 x 3/8SS	4		
6	Patch Hinge	2	ASD-600F	
7	Bulb Seal		ZV-919	
9	Bottom Rail-1/4" Poly	1	ZVP-14WS	
10	Door Hinge Jamb	1	ZD-8004	
11	Glass Setting Blocks	2	ZV-902	
12	Wall Jamb Inst. Screws	6	#8x1 1/4" PH SMS	
13	Wall Anchors	6	ZV-935	
14	Installation Screw	5	#6x3/8" PH SMS	
15	Horizontal Wedge Vinyl		ZV-922	
16	Vertical Wedge Vinyl		ZV-921	
17	1/4" Poly Strike	1	ZVP041484MAG	
18	Handle Gasket 1/4"		ZV-916	
19	Magnet		MAG4014	
20	Mag U-Channel	1	MAG4012	
21	Back to Back Pull	1	ASD 8X8 T	
22	Header/Curb Bracket	2	ZH-90	
23	Header/Curb Bracket Screws	12	8x1/4" PH B	
24	Hinge Seal	1	P14WS	

Arizona Corporate Office
2801 W. Indian School Rd
Phoenix, AZ 85017
800-255-1901 PH
602-447-8208 FAX

Florida
8100-1 Westside Industrial Dr
Jacksonville, FL 32219
855-695-8899 PH
904-786-9025 FAX

Illinois
2601 Bond St #1
University Park, IL 60484
800-861-6120 PH
708-235-0729 FAX

Oregon
2057 Lars Way
Medford, OR 97501
866-773-7905 PH
541-773-7909 FAX

Colorado
3871 Revere Street
Denver, CO 80239
866-574-1766 PH
303-574-1775 FAX

Utah
2594 S. 3600 West Suite A
West Valley City, UT 84119
877-402-5007 PH
801-972-3111 FAX

ARIZONA SHOWER DOOR

Tools you will need for this install

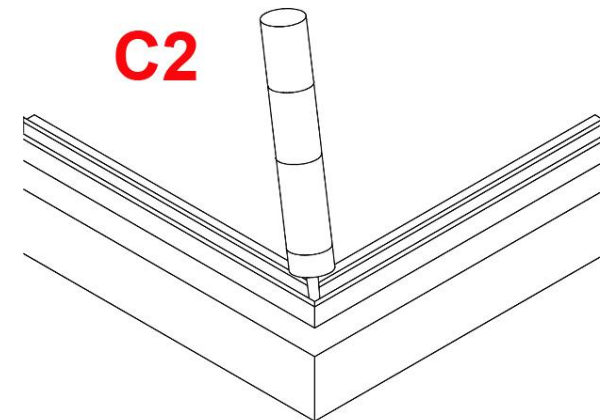
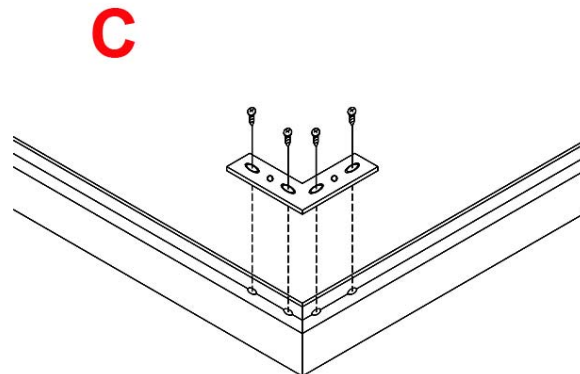
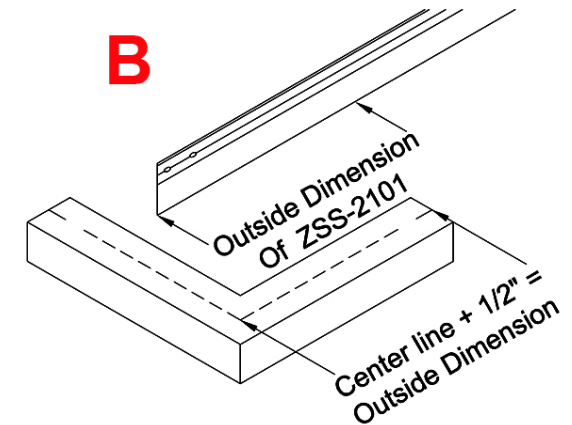
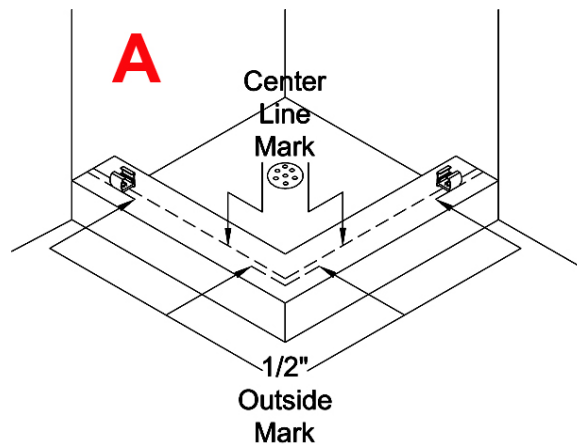
- ✓ Exploded View drawing of shower door
- ✓ 3/16" Masonry drill bit (use 9/64" drill bit for fiberglass)
- ✓ 1/8" drill bit
- ✓ Drill
- ✓ 4' Level
- ✓ Saw (Electric Chop saw or Hacksaw)
- ✓ Side cutting pliers
- ✓ #2 Phillips drill bit
- ✓ #2 Phillips screwdriver
- ✓ Tape Measure
- ✓ Pencil or Pen
- ✓ Caulking Gun
- ✓ 1-Tube of 100% Clear Silicone (no latex!)
- ✓ Vacuum Cleaner or Brush for clean up
- ✓ Glass Cleaner and Paper Towels
- ✓ Rubber Mallet
- ✓ File

INSTALLATION INSTRUCTIONS
FOR

MODEL MP-I-90 CLEARVIEW - BUTT GLAZE 90° RETURN

Note: These instructions will refer to the item #'s in the Exploded View drawing. For example, #1, #2, #3 etc...
Please read through **all** of the instructions to get an over-view **before** you install the shower door.

1) Find the centerline of where the unit will be installed. This will usually be the center of the curb of the shower pan. Place a mark 1/2" inch to the outside of centerline at each end of the curb where it meets the wall and also at the corner **(A)**. This mark will represent the outside of the ZSS-2101 Curb (item #2 in exploded view) **(Note:** The ZSS-2101 Curb will have a weep hole drilled into the bottom and inside portion of the extrusion. Depending on the shower style there may be more than one weep hole). Use the centerline measurements that were given at the time of order to figure your ZSS-2101 sizes. Take the centerline measurement and add 1/2" to get the outside dimension of the ZSS-2101. Measure from the **outside** edge of the mitered corner, along the **outside** of the ZSS-2101 to the correct dimension and cut to size **(B)**. Repeat this procedure for the other ZSS-2101 Curb. Lay the curbs on drop cloth or carpet to prevent scratching them. Assemble the two pieces of curb on the floor using the ZH90 90 degree corner clip (#20) and the #8X3/8" Header Curb Bracket Screws (#21). As the curbs are lying open end down, place the ZH90 clip onto the corner and align the miters, corner bracket, and

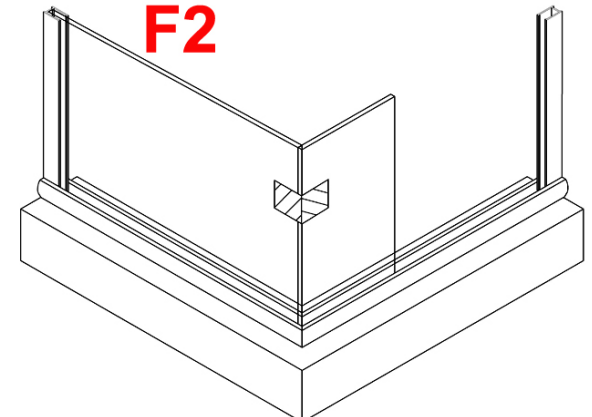
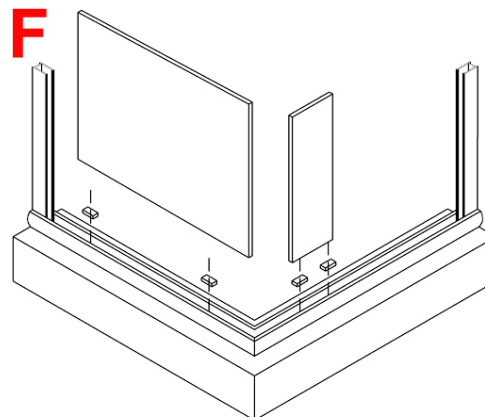
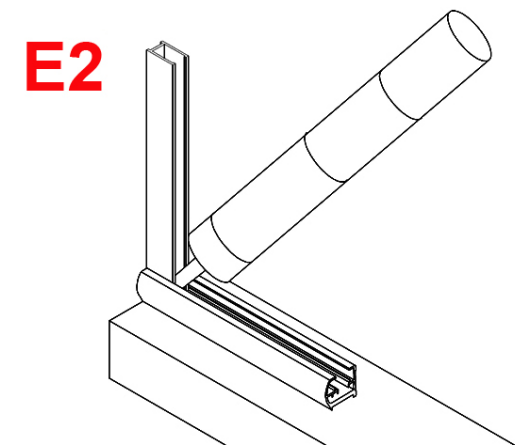
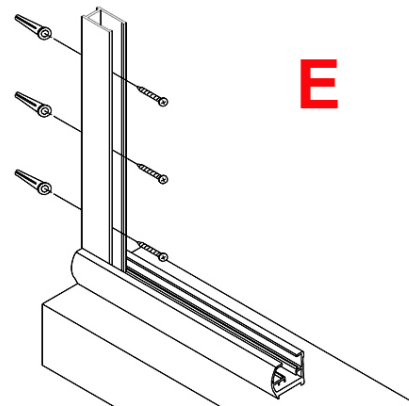
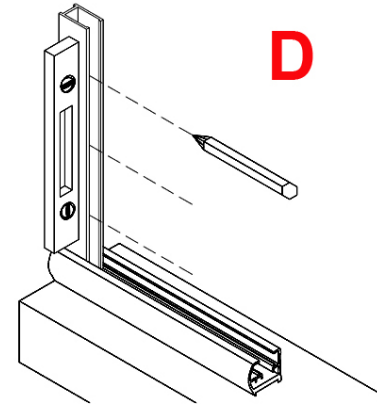


holes. Fasten the corner together with the #8x3/8" screws and then place the assembled Curb in the position laid out on the shower curb corresponding to the marks that you made. To guard against leakage, make sure to fill with silicone the ends and the corner where the screws were inserted. **(C)**.

2) Place a Wall Jamb ZD-1006 (#3) against the wall and down into the Curb. Use a level to position the jamb plumb, then mark the installation holes with a pen or pencil **(D)**. Repeat this procedure for the other jamb. Now drill the 6 holes with a 3/16" masonry bit (9/64" for fiberglass, & without anchors). Then insert the six (6)-ZV935 screw anchors (#15) in the holes. Fasten the ZD-1006 wall jambs in place using the #8X1-1/4 Phillips Pan Head screws provided (#14). Fill the corner with silicone where the inside of the ZSS-2101 and ZD-1006 meet to protect against water leaks **(E)**.

3) Butt-Glaze Place two Setting Blocks ZV902 (#13) into the Curb on the side of the 90° panel where your panel will be. Insert the Glass into the ZSS-2101 Curb and the ZD-1006 Wall Jamb. Next place two setting blocks ZV902 into the Curb ZSS-2101 where the inline panel will be. Insert the inline glass into the curb and "Butt" the 90° panel to the inline panel. To ensure that the panels do not move, tape (painters tape) the 90° corner together holding the panels in place. **(F)**

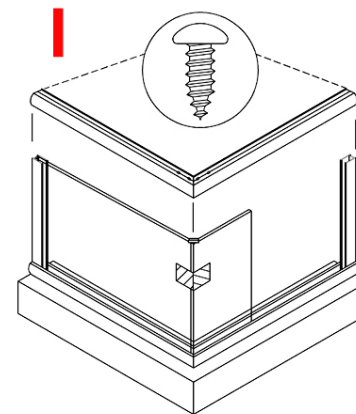
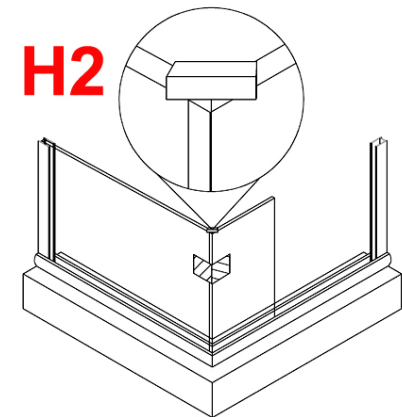
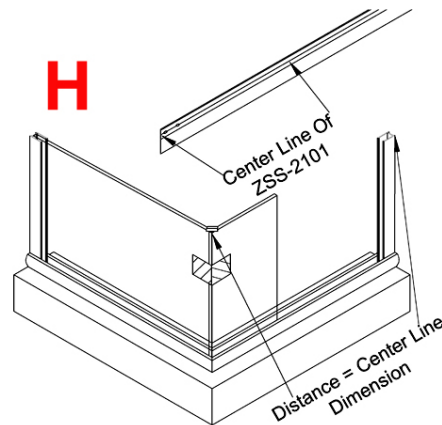
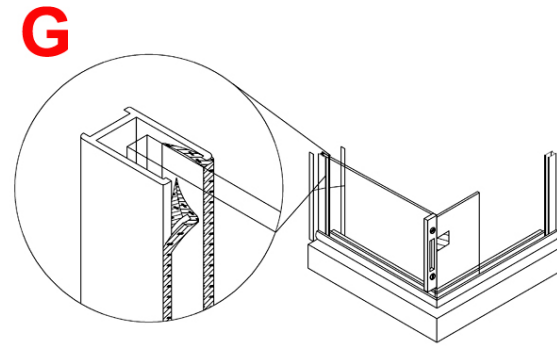
4) Plumb the 90° Corner. Insert the ZV921 Wedge Vinyl (#18) into the vertical jambs on both insides and outside of the glass. **(Note:** At this point only install the ZV921 Wedge Vinyl



into the 90° return panel **not** the inline Panel.) A block of wood will help push the vinyl in. Slightly wet the vinyl with water to ease install. The flat side goes against the glass. Notice the groove that will lock in to the edge of the wall jamb. Make sure the 90° corner is plumb **(G)**.

5) Measure from the wall above the ZD1006 wall jamb, over to the outside corner of the plumbed glass panels. This is your center line measurement of the ZSS2101 Header. Cut to that dimension. Follow the same procedure for the other header. Assemble the two pieces of header on the floor using the ZH90 90 degree corner clip (#20) and the #8X3/8" Header Curb Bracket Screws (#21). As the headers are lying open end down, place the ZH90 clip onto the corner and align the miters, corner bracket, and holes. Fasten the corner together with the #8x3/8" screws (refer to **(C)**). Now place a ZV902 setting block at the 90° position where the two glass panels meet. (**Note:** this will prevent chips and breaks of the two panels) **(H)**. Now place the assembled header pieces over and down onto the vertical posts. Attach the Header to the Wall Jamb from the inside using a 1/8" drill bit to drill through the header and into the wall jambs being **extremely careful** not to drill into the glass. Secure with the #6X3/8" screws (#16) **(I)**.

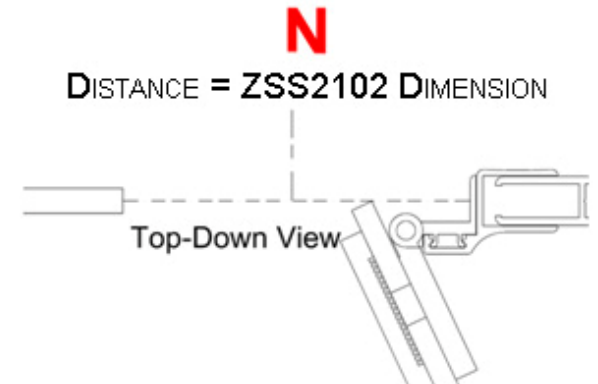
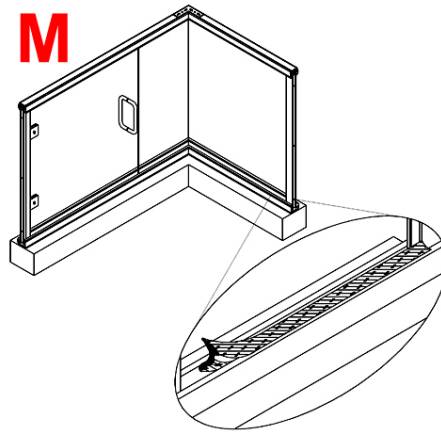
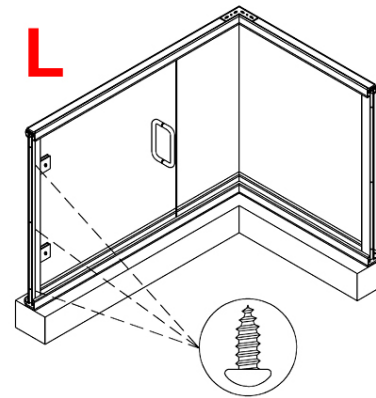
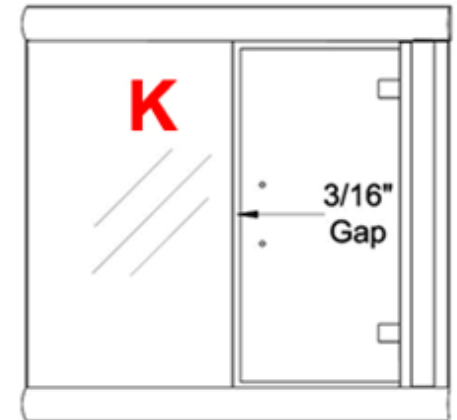
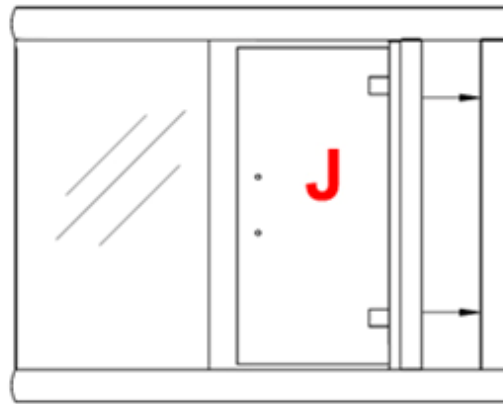
6) Hang the door. First install the door by sliding the ZD8004 "Door Hinge Jamb" (#10) over the hinge side wall jamb ZD1006. Do not fasten the door at this point. **Note:** (It will be helpful to have an assistant to adjust and hold the door in place from the outside while you adjust then mark and drill through pre-drilled holes in the



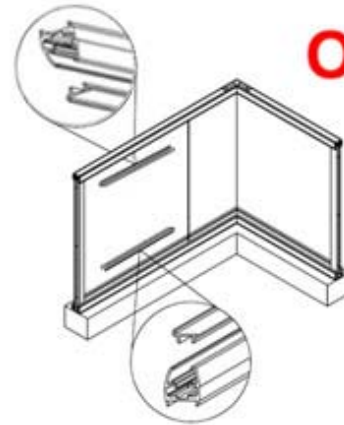
ZD-8004 to secure the door) **(J)**. **(Note:** Ensure that the ZD1006 can be seen through the pre-drilled holes in the ZD8004 and the panel is still pocketed inside the ZD1006 wall jamb. Adjustment is achieved by “sliding” the door back and forth over the ZD1006 wall jamb) Square up the door and align the edge of the door glass parallel with the edge of the glass panel leaving a 3/16” gap between the Panel and the Door Glass **(Note:** to achieve a more precise measurement of the gap between the panel and door install the ZVP041484MAG (#19) on the panels edge and then adjust the gap to be 1/16” **(K)**. Next attach the door by drilling the three holes on the inside of the unit where the hinge jamb is pre-drilled using a 1/8” drill bit and secure with the 3-#6X3/8” Pan Head screws (#16) **(L)**

7) Next insert the ZV922 (#17) Horizontal Wedge Vinyl into the header and curb in between the metal and glass without stretching it, both inside and out, top and bottom on both the inline and return panels. Notice the locking groove **(M)**.

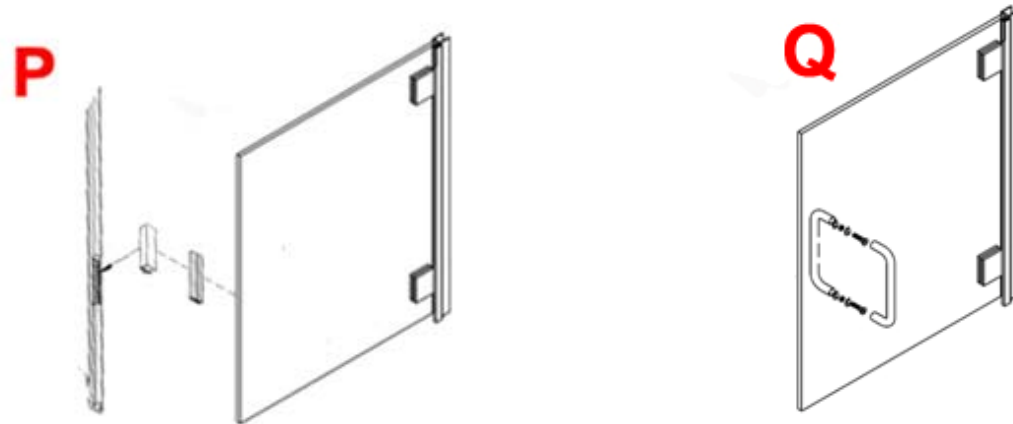
8) Now you need to cut the Snap In Filler ZSS2102 (#4). There are a number of ways to calculate the size of the ZSS2102. This simple method will work for standard width as well as custom. Measure the distance in-between the edge of the glass panel and the ZD8004 Door Hinge Jamb. This will be the size of your ZSS2102. Cut to that Dimension **(N)**.



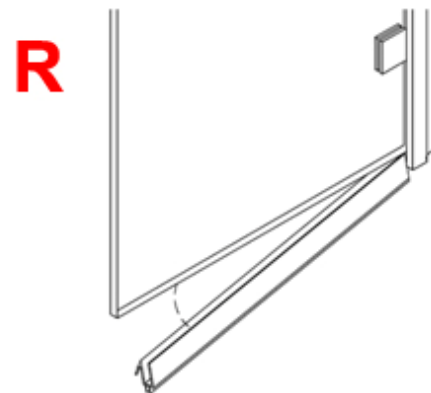
9) Snap the ZSS2102 filler into the ZSS2101 curb piece. There is a small lip on the filler. This faces to the outside of the unit. Next Snap the ZSS2102 into the ZSS2101 Header. **(O)**.



10) Attaching the MAG4012 and ASD 8x8 Handle. First you will need to attach the MAG4012 (#4) by placing the ZV 916 for 1/4" glass (#23) over the edge of the glass then tapping the MAG4012 over the gasket and on to the glass with a rubber mallet aligning it to the magnet on the ZVP041484MAG. **(P)**. Next attach the ASD 8X8 Handle (#27). Take the two stud head mounting screws and sleeve one clear washer on each screw. Next, insert the clear grommets into the holes in the door. From the outside of the door, push the thread of the screws through the grommets in the holes in the glass. On the inside of the door, sleeve a clear washer onto the screws. Take the pull that has the threaded hole in the end and begin to thread the top screw into it and then the bottom screw. Tighten the stud head screws down with a screwdriver (not a drill). This pull will be on the inside of the door. Place the remaining pull, with the large holes and set screw, onto the stud heads of the screws. Tighten the set screws with Allen wrench provided. **(Q)**.



11) Cut the Bottom Poly Rail (ZVP-14WS for 1/4" glass) then push over the bottom edge of the glass. Run a cap bead of silicone on the inside where the glass and poly meet to prevent water seeping down into the sweep between the glass and poly. **(R)**.



12) Now you will need to install the Poly Rail ZVP041484MAG (#19) by measuring the Gap in-between the Curb filler ZSS2102 and Header ZSS2102 pieces. (Note: the ZVP041484MAG may already be cut to size) Cut the ZVP041484MAG to this measurement and then slide the ZVP041484MAG over the exposed side of the glass panel that was previously installed **(S)**. (Note: to ensure proper installation of the ZVP041484MAG the strike portion should align with the inside edge of the glass panel)

13) Run a bead of silicone on the gap between the metal and the shower surface inside and out around the entire unit. Fill all joints and gaps where metal meets metal and fill with a fine bead **(T)**.

