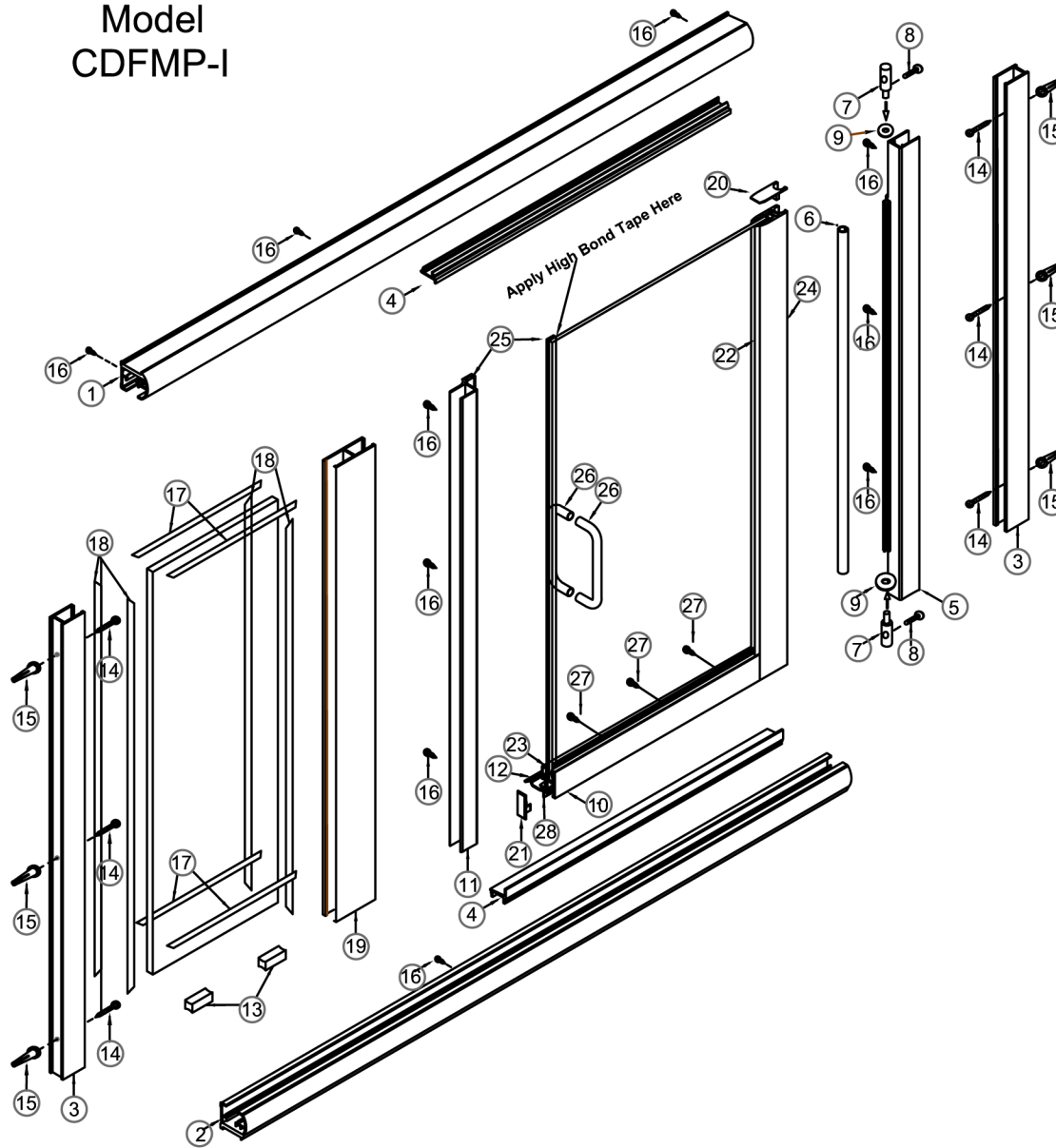


INSTALLATION INSTRUCTIONS

Model CDFMP-I



When ordering replacement parts, please provide the following information:

1. Part Number
2. Part Name
3. Model Number
4. Specify design (if any)

To install your Shower Enclosure you will need the following:

- Level
- 1/8" and 9/64" Drill Bits
- (Tile) 3/16" Masonry Bit
- Phillips Screwdriver
- Sealant
- Hack Saw

#	Description	Qty.	Part #	Picture
1	Header	1	ZSS-2101	
2	Curb	1	ZSS-2101	
3	Wall Jamb	2	ZD-1006	
4	Snap-In Filler	2	ZSS-1102	
5	Hinge Jamb	1	ZD-2505A	
6	Hinge Rail Sleeve	1	ZV-995	
7	Hinge Pins	2	ZV-910	
8	Hinge Pin Screw	2	#6-32x3/8" FH MS	
9	Washer	2	WS-516	
10	Bottom Rail	1	ZD-1002	
11	Latch Jamb	1	ZD-8004	
12	Drip Trough	1	ZD-2008	
13	Glass Setting Blocks	2	ZV-902	
14	Wall Jamb Inst. Screws	6	#8x1 1/2" PH SMS	
15	Wall Anchors	6	ZV-935	
16	Installation Screw	14	#6x3/8" PH SMS	
17	Horizontal Wedge Vinyl		ZV-906	
18	Vertical Wedge Vinyl		ZV-909	
19	180° Post	1	ZSS-1103	
20	Top Cap	1	ZH-948	
21	Door Clip	1	ZV-940	
22	Hinge Rail-3/16" Vinyl		ZV-925 3/16	
	Hinge Rail-1/4" Vinyl		ZV-925 1/4	
23	Bottom Rail-3/16" Vinyl		ZV-903	
	Bottom Rail-1/4" Vinyl		ZV-901	
24	Hinge Rail	1	ZD-2503A	
25	Magnet Stripl	2	ZV-987	
26	Back to Back Pull	1	ASD-8x8T	
27	#6 X 1/4" PH B-Point	3		
28	Drip Vinyl	1	ZV-934	

Arizona Corporate Office
2801 W. Indian School Rd
Phoenix, AZ 85017
800-255-1901 PH
602-447-8208 FAX

Florida
8100-1 Westside Industrial Dr
Jacksonville, FL 32219
855-695-8899 PH
904-786-9025 FAX

Illinois
2601 Bond St #1
University Park, IL 60484
800-861-6120 PH
708-235-0729 FAX

Oregon
2057 Lars Way
Medford, OR 97501
866-773-7905 PH
541-773-7909 FAX

Colorado
3871 Revere Street
Denver, CO 80239
866-574-1766 PH
303-574-1775 FAX

Utah
2594 S. 3600 West Suite A
West Valley City, UT 84119
877-402-5007 PH
801-972-3111 FAX

ARIZONA SHOWER DOOR

Tools you will need for this install

- ✓ Exploded View drawing of shower door
- ✓ 3/16" Masonry drill bit (use 9/64" drill bit for fiberglass)
- ✓ 1/8" drill bit
- ✓ Drill
- ✓ 4' Level
- ✓ Saw (Electric Chop saw or Hacksaw)
- ✓ Side cutting pliers
- ✓ #2 Phillips drill bit
- ✓ #2 Phillips screwdriver
- ✓ Tape Measure
- ✓ Pencil or Pen
- ✓ Caulking Gun
- ✓ 1-Tube of 100% Clear Silicone (no latex!)
- ✓ Vacuum Cleaner or Brush for clean up
- ✓ Glass Cleaner and Paper Towels
- ✓ Rubber Mallet
- ✓ File

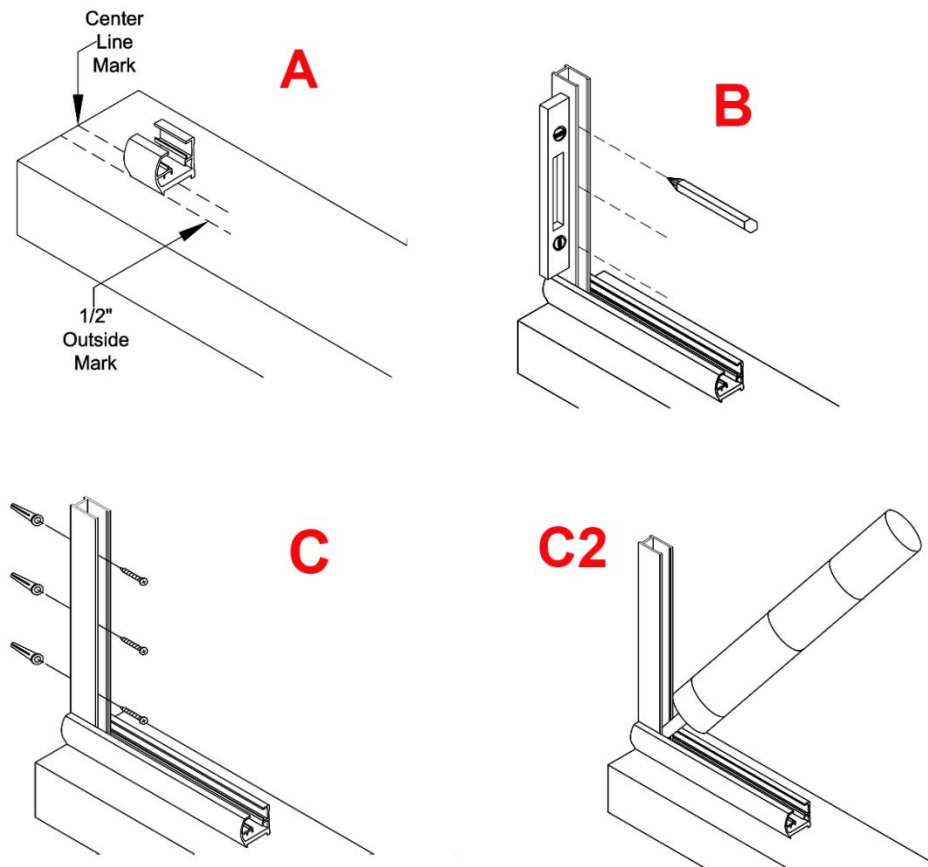
Installation Instructions for

Model CDFMP-I

Note: These instructions will refer to the item #'s in the Exploded View drawing. For example, #1, #2, #3 etc... Please read through **all** of the instructions to get an over-view **before** you install the shower door.

1) Find the centerline of where the unit will be installed. This will usually be the center of the curb of the shower pan. Place a mark 1/2" inch to the outside of centerline at each end of the curb where it meets the wall. This mark will represent the outside of the ZSS2101 Curb (item #2 in exploded view) **(A)**. Measure the distance between the walls at the top of the Shower Threshold. Cut the Curb ZSS-2101 to this dimension. Place a Wall Jamb ZD-1006 (#3) against the wall and down into the Curb. Use a level to position the jamb plumb, then mark the installation holes with a pen or pencil **(B)**. Repeat this procedure for the other jamb. Now drill the 6 holes with a 3/16" masonry bit (9/64" for fiberglass, & without anchors). Then insert the 6)-ZV935 screw anchors (#15) in the holes. Fasten the ZD1006 wall jambs in place using the #8X1-1/4 Phillips Pan Head screws provided (#14). Fill the corner inside the 2101 to protect against water leaks **(C)**.

2) Place two Setting Blocks ZV902 (#13) into the Curb on the side where your panel will be.



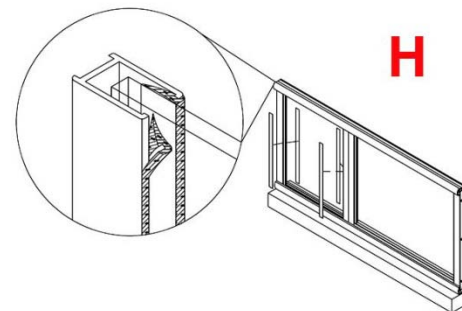
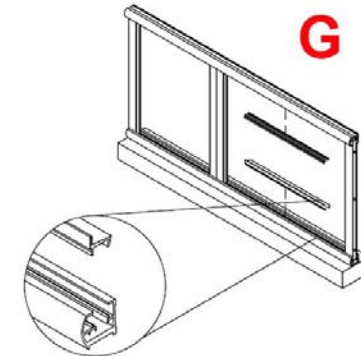
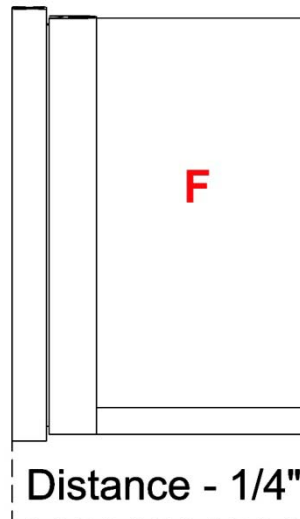
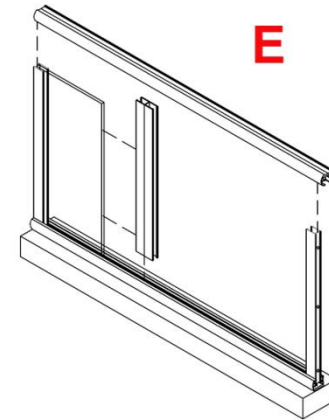
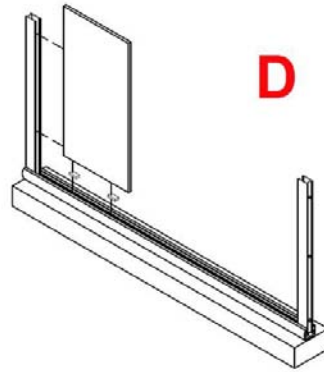
Insert the Glass into the ZSS2101Curb and the ZD1006 Wall Jamb (D).

3) Measure the distance between the walls at the top of the Jambs. Cut the Header ZSS2101 (#1) to this dimension. Insert the 180 Post ZSS1103 (#19) into the Curb and onto the edge of the glass. Place the Header over and down onto the Wall Jambs and 180 Post. Do not secure the header at this point (E).

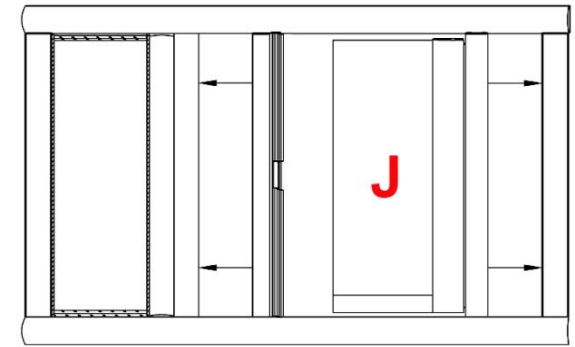
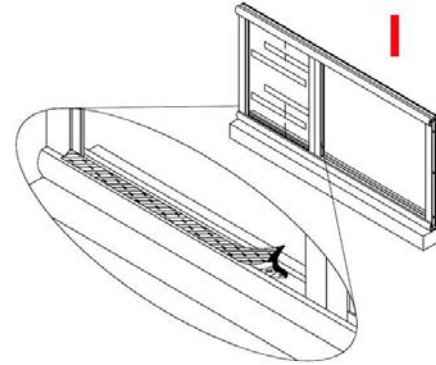
4) At this point your header, curb, wall jambs, inline glass, and 180 degree post are up. Now you need to cut the Snap In Filler ZSS1102 (#4). There are a number of ways to calculate the size of the 1102. This simple method will work for standard width as well as custom. Measure the overall width of the door. This is the outside edge of the ZD2505A to the outside edge of the glass. Take that dimension and subtract 1/4" and that dimension will be your snap in size. For example, if the overall width of the door is 29-3/4" then the snap in size is 29-1/2" (F).

5) Snap the fillers into the 2101's top and bottom. There is a small lip on the filler. This faces to the outside of the unit (G).

6) Insert the ZV909 Wedge Vinyl (#18) into the jambs on both sides of the glass. A block of wood will help push the vinyl in (H). Slightly wet the vinyl with water to ease install. The flat side goes against the glass. Push in until locking groove locks into the edge of the jamb. Then insert the horizontal ZV906 (#17) Wedge vinyl between the glass and the curb, and the glass and the header (top and bottom) inside and

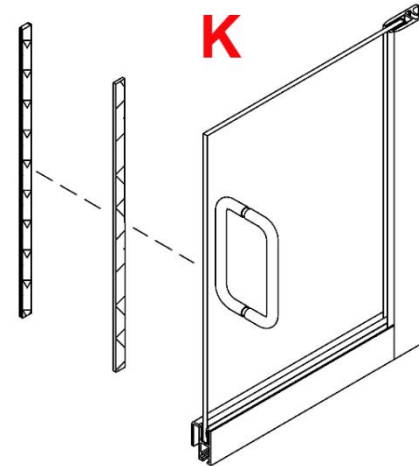


out. Notice the locking groove. Do not stretch either vinyl as they will shrink over time creating gaps where water can get into (I). At step 11 caulk all the joints where vertical vinyl meets horizontal vinyl.

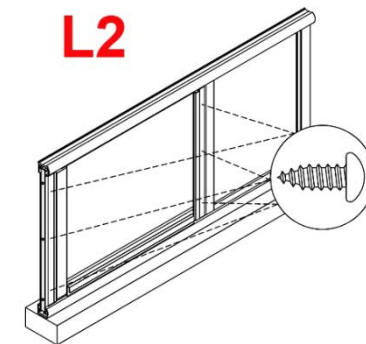
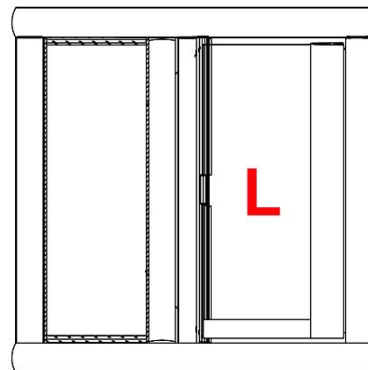


7) Hang the door. Slide the ZD8004 Magnetic Latch Jamb (#11) over the latch side wall jamb. Install the door by sliding the ZD2505A Door Hinge Jamb (#5) over the hinge side wall jamb. Do not fasten the door at this point (J).

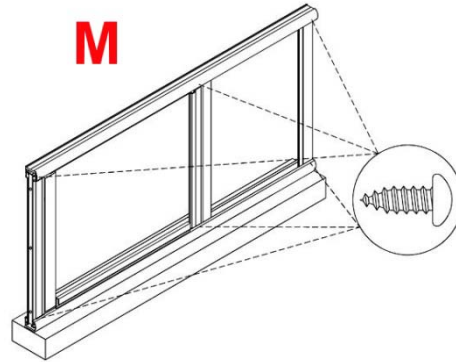
8) Inspect and fit the magnetic strip to figure out the side that will attract and not repel. Install the side that repels against the high bond tape that you will install. Attach the full length ZV987Magnetic Strip by applying the clear high bond tape along the inside of the door and aligning it with the edge of the glass, inseting about 1/16". Put it on all the way down until it touches the ZD1012. Cut here then remove protective layer off tape. Apply the magnetic strip to the tape in the same fashion by gradually unrolling until it reaches the bottom rail. Cut to fit (K).



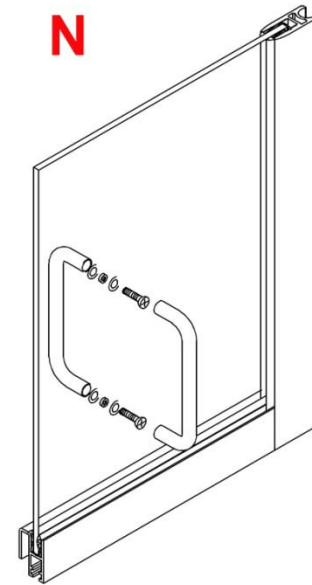
9) Note: (It will be helpful to have an assistant at this point to adjust and hold the door in place from the outside while you drill and fasten the latch jamb and the hinge jamb from the inside). Square up the door and align the two magnetic strips until they make a strong seal. Attach the door by drilling the six holes on the inside of the unit where the jambs are pre-drilled using an 1/8" drill bit and secure with the 6-#6X3/8" Pan Head screws (#16) (L)



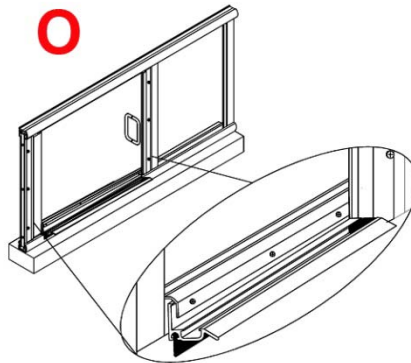
10) Secure the header and 180 post. Drill a 1/8" hole on the inside through the 2101 header into the 1006 and also through the 2101 Header into the 180 Post (the side that is **NOT** holding the glass). Also, on the inside, drill through the 2101 Curb into the 180 Post. Run the #6X3/8" screws into the holes **(M)**.



11) Attach the ASD 8X8 Handle (#27). Take the two stud head mounting screws and sleeve one clear washer on each screw. Next, insert the clear grommets into the holes in the door. From the outside of the door, push the thread of the screws through the grommets in the holes in the glass. On the inside of the door, sleeve a clear washer onto the screws. Take the pull that has the threaded hole in the end and begin to thread the top screw into it and then the bottom screw. Tighten the stud head screws down with a screwdriver (not a drill). This pull will be on the inside of the door. Place the remaining pull, with the large holes and set screw, onto the stud heads of the screws. Tighten the set screws with Allen wrench provided **(N)**.



12) Adjust ZD2008 Drip Trough (#12) on door to slope towards the hinge **(O)**.



13) Run a bead of silicone on the gap between the metal and the shower surface inside and out around the entire unit. Fill all joints and gaps where metal meets metal and fill with a fine bead **(P)**.

