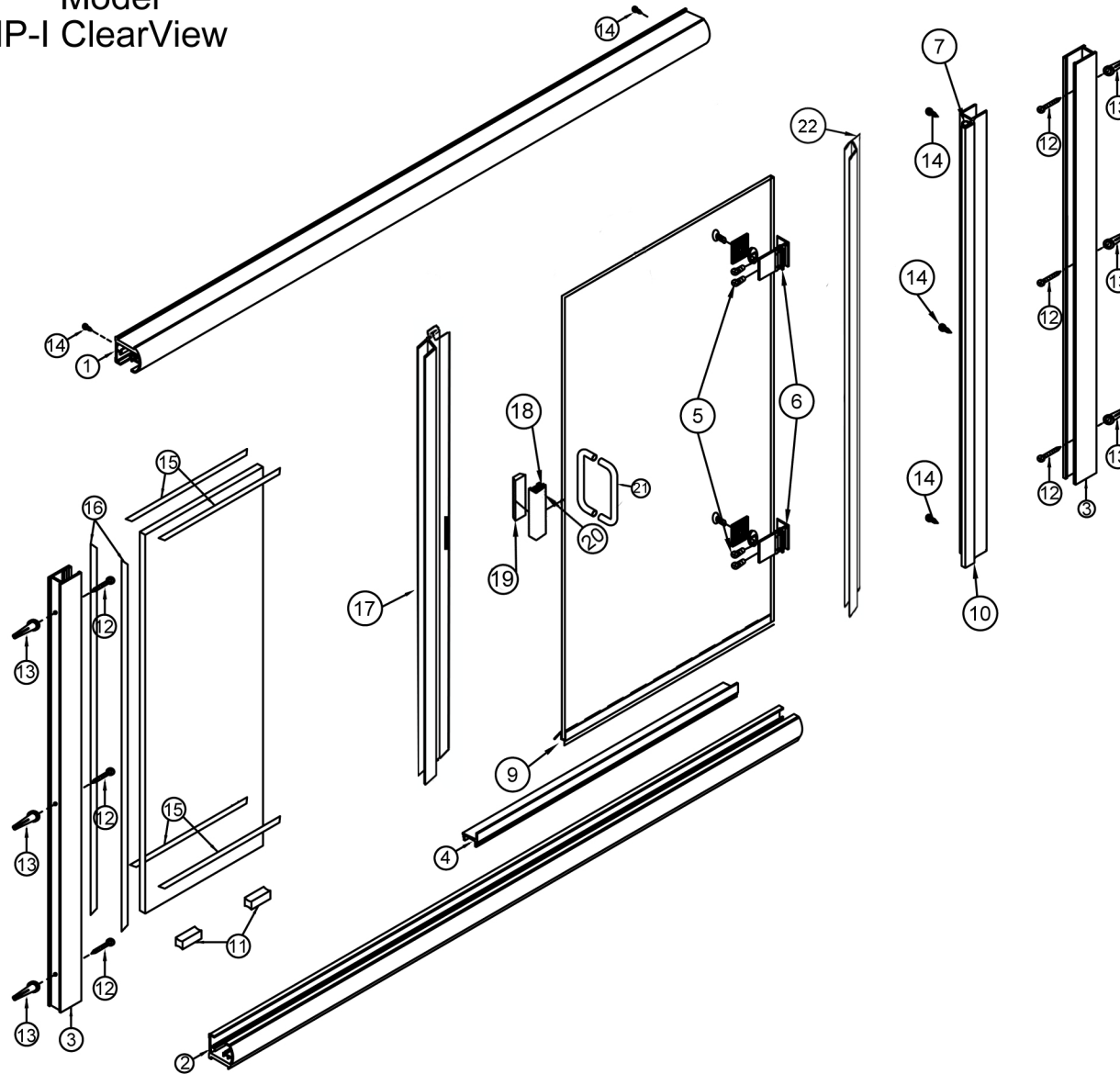


# INSTALLATION INSTRUCTIONS

Model  
MP-I ClearView



#	Description	Qty.	Part #	Picture
1	Header	1	ZSS-2101	
2	Curb	1	ZSS-2101	
3	Wall Jamb	2	ZD-1006	
4	Snap-In Filler	2	ZSS-2102	
5	#8 x 3/8SS	4		
6	Patch Hinge	2	ASD-600F	
7	Bulb Seal		ZV-919	
9	Bottom Rail-1/4" Poly	1	ZVP-14WS	
10	Door Hinge Jamb	1	ZD-8004	
11	Glass Setting Blocks	2	ZV-902	
12	Wall Jamb Inst. Screws	6	#8x1 1/4" PH SMS	
13	Wall Anchors	6	ZV-935	
14	Installation Screw	5	#6x3/8" PH SMS	
15	Horizontal Wedge Vinyl		ZV-922	
16	Vertical Wedge Vinyl		ZV-921	
17	1/4" Poly Strike	1	ZVP041484MAG	
18	Handle Gasket 1/4"		ZV-916	
19	Magnet		MAG4014	
20	Mag U-Channel	1	MAG-4012	
21	Back to Back Pull	1	ASD 8X8 T	
22	Hinge Seal	1	P14WS	

When ordering replacement parts, please provide the following information:

1. Part Number
2. Part Name
3. Model Number
4. Specify design (if any)

To install your Shower Enclosure you will need the following:

- Level
- 1/8" and 9/64" Drill Bits
- (Tile) 3/16" Masonry Bit
- Phillips Screwdriver
- Sealant
- Hack Saw

Arizona Corporate Office  
2801 W. Indian School Rd  
Phoenix, AZ 85017  
800-255-1901 PH  
602-447-8208 FAX

Florida  
8100-1 Westside Industrial Dr  
Jacksonville, FL 32219  
855-695-8899 PH  
904-786-9025 FAX

Illinois  
2601 Bond St #1  
University Park, IL 60484  
800-861-6120 PH  
708-235-0729 FAX

Oregon  
2057 Lars Way  
Medford, OR 97501  
866-773-7905 PH  
541-773-7909 FAX

Colorado  
3871 Revere Street  
Denver, CO 80239  
866-574-1766 PH  
303-574-1775 FAX

Utah  
2594 S. 3600 West Suite A  
West Valley City, UT 84119  
877-402-5007 PH  
801-972-3111 FAX

# ARIZONA SHOWER DOOR

## Tools you will need for this install

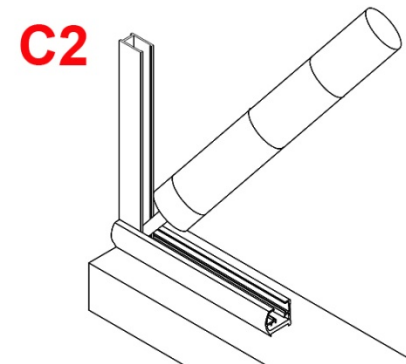
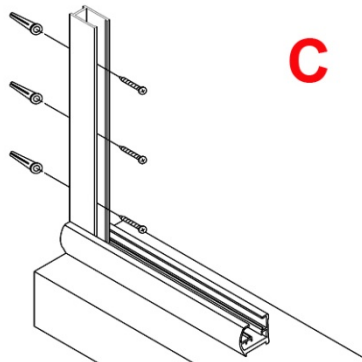
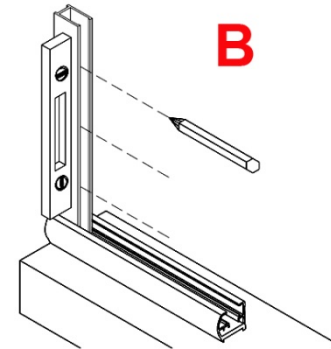
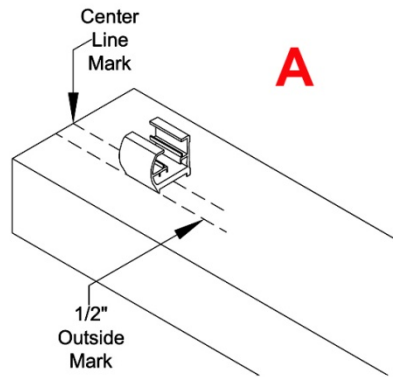
- ✓ Exploded View drawing of shower door
- ✓ 3/16" Masonry drill bit (use 9/64" drill bit for fiberglass)
- ✓ 1/8" drill bit
- ✓ Drill
- ✓ 4' Level
- ✓ Saw (Electric Chop saw or Hacksaw)
- ✓ Side cutting pliers
- ✓ #2 Phillips drill bit
- ✓ #2 Phillips screwdriver
- ✓ Tape Measure
- ✓ Pencil or Pen
- ✓ Caulking Gun
- ✓ 1-Tube of 100% Clear Silicone (no latex!)
- ✓ Vacuum Cleaner or Brush for clean up
- ✓ Glass Cleaner and Paper Towels
- ✓ Rubber Mallet
- ✓ File

INSTALLATION INSTRUCTIONS  
FOR

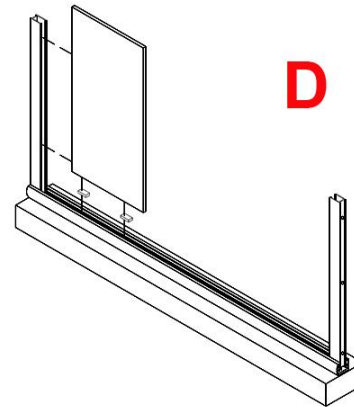
# MODEL MP-I CLEARVIEW

**Note:** These instructions will refer to the item #'s in the Exploded View drawing. For example, #1, #2, #3 etc...  
Please read through **all** of the instructions to get an over-view **before** you install the shower door.

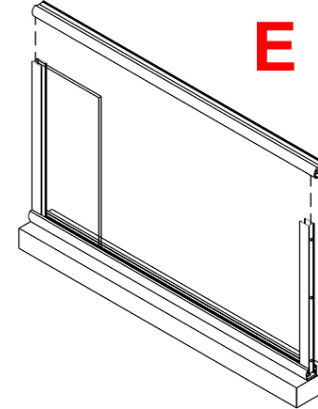
**1)** Find the centerline of where the unit will be installed. This will usually be the center of the curb of the shower pan. Place a mark 1/2" inch to the outside of centerline at each end of the curb where it meets the wall. This mark will represent the outside of the ZSS2101 Curb (item #2 in exploded view) (**Note:** The ZSS-2101 **Curb** will have a weep hole drilled into the bottom and inside portion of the extrusion. Depending on the shower style there maybe more than one weep hole) **(A)**. Measure the distance between the walls at the top of the Shower Threshold. Cut the Curb ZSS-2101 to this dimension. Place a Wall Jamb ZD-1006 (#3) against the wall and down into the Curb. Use a level to position the jamb plumb, then mark the installation holes with a pen or pencil **(B)**. Repeat this procedure for the other jamb. Now drill the 6 holes with a 3/16" masonry bit (9/64" for fiberglass, & without anchors). Then insert the 6)-ZV935 screw anchors (#13) in the holes. Fasten the ZD1006 wall jambs in place using the #8X1-1/4 Phillips Pan Head screws provided (#12). Fill the corner inside the ZSS2101 to protect against water leaks **(C)**.



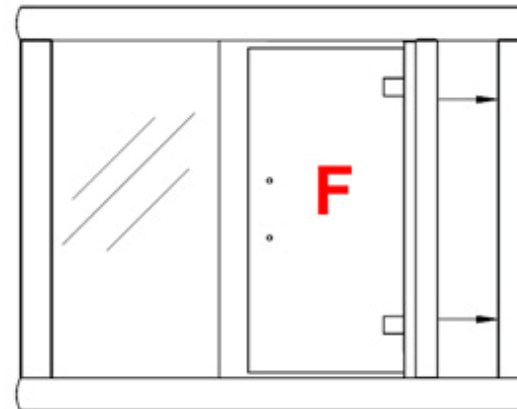
**2)** Place two Setting Blocks ZV902 (#11) into the Curb on the side where your panel will be. Insert the Glass into the ZSS2101Curb and the ZD1006 Wall Jamb **(D)**.



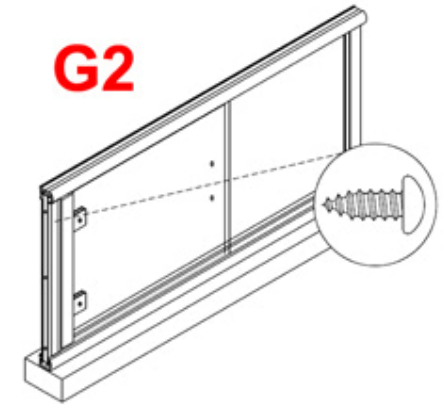
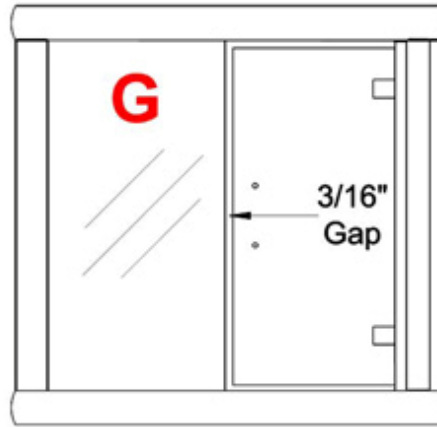
**3)** Measure the distance between the walls at the top of the Jambs. Cut the Header ZSS2101 (#1) to this dimension. Place the Header over and down onto the wall jambs. Do not secure the header at this point **(E)**.



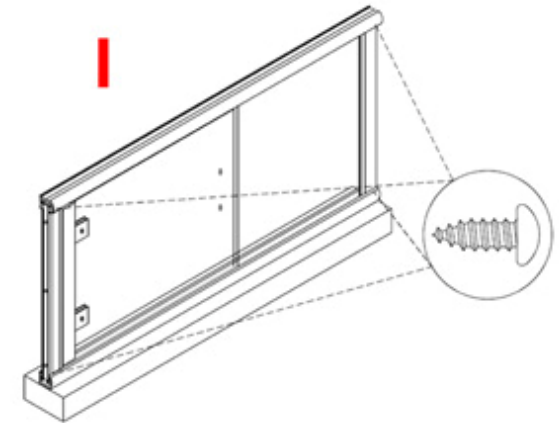
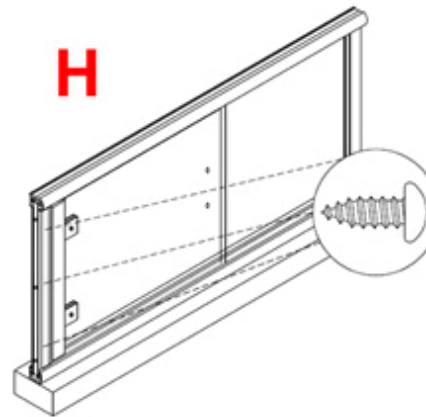
**4)** Hang the door and adjust inline panel. First install the door by sliding the ZD8004 “Door Hinge Jamb” (#10) over the hinge side wall jamb ZD1006. Do not fasten the door at this point. **Note:** (It will be helpful to have an assistant at this point to adjust and hold the door in place from the outside while you adjust your panel then mark and drill through pre-drilled holes in the ZD-8004 to secure the door) **(F)**. **(Note:** you may have to adjust your panel while adjusting your door to ensure that the ZD1006 can be seen through the pre-drilled holes in the ZD8004 and the panel is still pocketed inside the ZD1006 wall jamb. Adjustment is achieved by both “sliding” the door back and forth over the ZD1006 wall jamb and by sliding the glass panel back and forth in the opposite wall jamb) Square up the door and align the edge of the door glass parallel with the edge of the glass panel leaving a 3/16” gap between the Panel and the Door Glass **(Note:** to achieve a more precise measurement of the gap between the panel and door you install the ZVP041484MAG (#17) by measuring the distance between the top of the curb and bottom of the header then subtract 1/8” from that measurement. Cut to



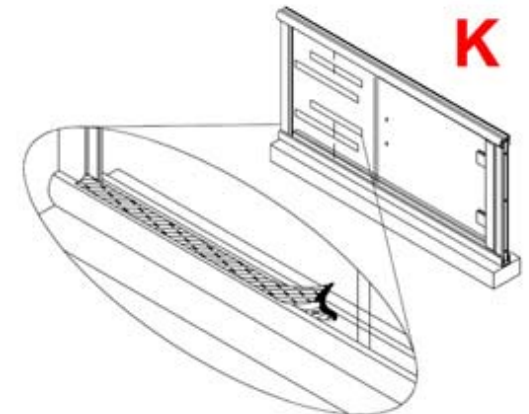
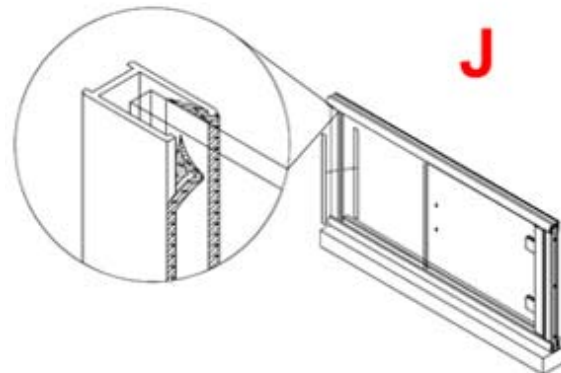
that dimension. Place the ZVP041484MAG on the panels edge and then adjust the gap to be 1/16" (G). If the gap between the panel and the door is greater than 3/16" you can drill and screw the top screw of the 3 predrilled holes in the ZD8004. And then adjust the panel to the correct distance before squaring the door to the panel (G2). Next attach the door by drilling the remaining holes on the inside of the unit where the hinge jamb is pre-drilled using a 1/8" drill bit and secure with the remaining #6X3/8" Pan Head screws (#14) (H). Remove the ZVP041484MAG for later use.



5) Securing the header and curb. Drill a 1/8" hole on the inside through the ZSS2101 header into the ZD1006. (I).



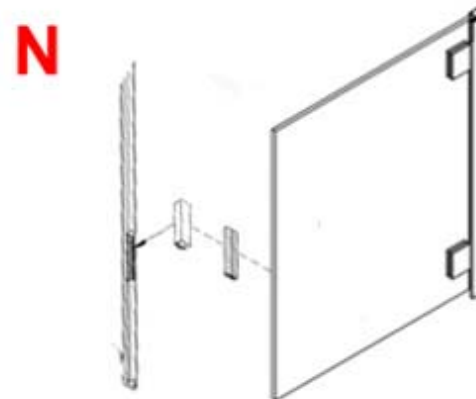
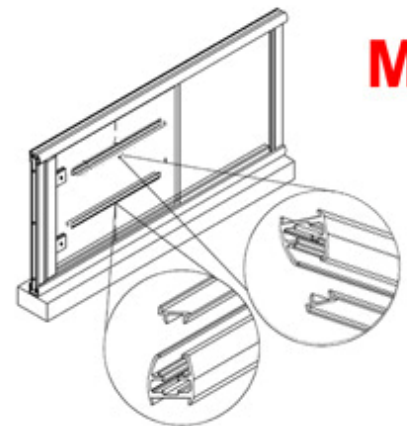
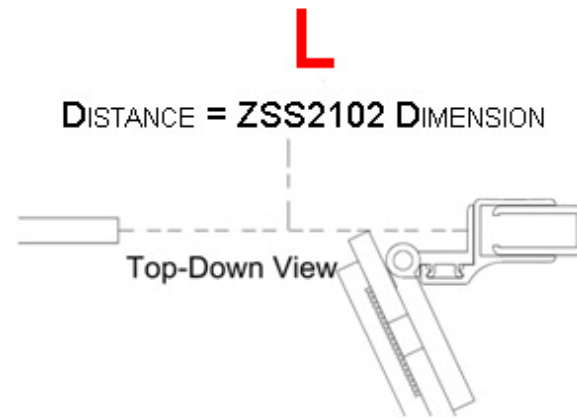
6) Adjust the panel if needed to keep the 3/16" gap between the panel and door. Now insert the ZV921 vertical Wedge Vinyl (#16) into the ZD1006 jamb on both inside and outside of the glass. A block of wood will help push the vinyl in. Slightly wet the vinyl with water to ease install. The flat side goes against the glass. Push in until locking groove locks into the edge of the jamb (J). Then insert the ZV922 (#15) horizontal Wedge vinyl between the glass and the curb, and the glass and the header (top and bottom) inside and out. Notice the locking groove. Do not stretch either vinyl as they will shrink over time creating gaps where water can get into (K). At step 12 caulk all the joints where vertical vinyl meets horizontal vinyl.



7) Now you need to cut the Snap In Filler ZSS2102 (#4). There are a number of ways to calculate the size of the ZSS2102. This simple method will work for standard width as well as custom. Measure the distance in-between the edge of the glass panel and the ZD8004 "Door Hinge Jamb". This will be the size of your ZSS2102. Cut to that Dimension **(L)**.

8) Snap the ZSS2102 filler into the ZSS2101 curb piece. There is a small lip on the filler. This faces to the outside of the unit. Next Snap the ZSS2102 filler into the ZSS2101 Header **(M)**.

9) Attaching the MAG4012 and ASD 8x8 Handle. First you will need to attach the MAG4012 (#20) by placing the ZV 916 for 1/4" glass (#18) over the edge of the glass then tapping the MAG4012 over the gasket and on to the glass with a rubber mallet aligning it to the magnet on the ZVP041484MAG **(N)**. Next attach the ASD 8X8 Handle (#21). Take the two stud head mounting screws and sleeve one clear washer on each screw. Next, insert the clear grommets into the holes in the door. From the outside of the door, push the thread of the screws through the grommets in the holes in the glass. On the inside of the door, sleeve a fine bead clear washer onto the screws. Take the pull that has the threaded hole in the end and begin to thread the top screw into it and then the bottom screw. Tighten the stud head screws down with a screwdriver (not a drill). This pull will be on the inside of the door. Place the remaining pull, with the large holes and set screw, onto the stud heads of the screws.



Tighten the set screws with Allen wrench provided. **(O)**.

**10)** Cut the Bottom Poly Rail (ZVP-14WS(#9) for 1/4" glass) then push over the bottom edge of the glass. Run a cap bead of silicone on the inside where the glass and poly meet to prevent water seeping down into the sweep between the glass and poly. **(P)**.

**11)** Now you will need to install the Poly Rail ZVP041484MAG (#17) by measuring the Gap in-between the Curb filler ZSS2102 and Header Filler ZSS2102 pieces. (Note: the ZVP041484MAG may already be cut to size) Cut the ZVP041484MAG to this measurement and then slide the ZVP041484MAG over the exposed side of the glass panel that was previously installed **(Q)**. (Note: to ensure proper installation of the ZVP041484MAG the strike portion should align with the inside edge of the glass panel)

**12)** Run a bead of silicone on the gap between the metal and the shower surface inside and out around the entire unit. Fill all joints and gaps where metal meets metal and fill with a fine bead **(R)**.

