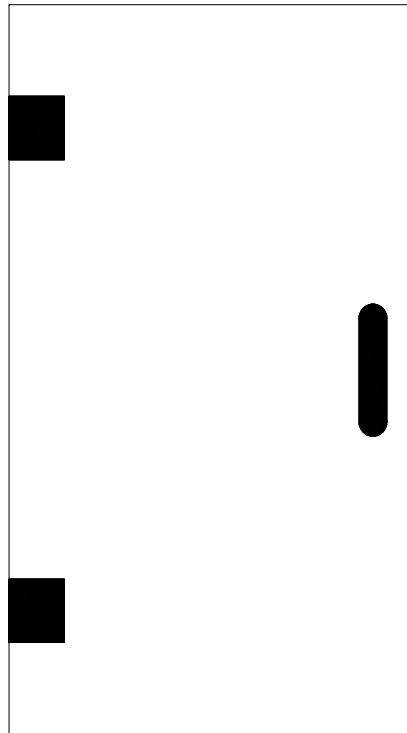


ARIZONA | SHOWER DOOR

HG-38

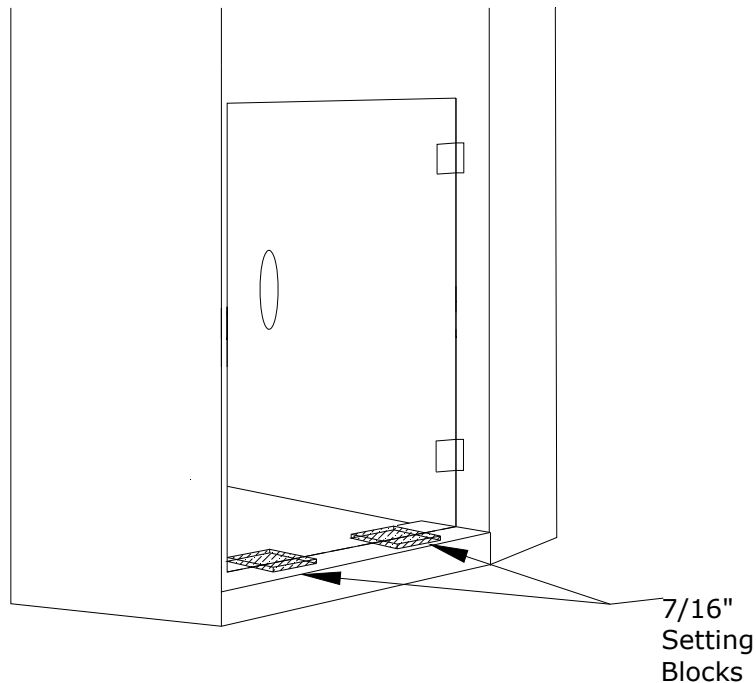


Please read instructions completely before proceeding to get an overview of the installation.

1) **Mounting hinges:** The glass and gaskets should be free of grime, grease, oils or anything else that would prevent the hinge and gasket from making good contact with glass. Use glass cleaner to remove these things. Remove the cover plates and screws from the hinges. See the template sheet in the hinge box for the proper gasket to be used with your selected glass thickness. Apply the proper thickness gaskets to both sides of the door around the hinge cutouts. Apply light pressure so they will stay in place. Now put the main body of the hinge in the glass cutout. Align the hinge in the cutout being sure that is centered up and down, and that there is 1/16"-3/32" gap between the back plate and glass edge. After everything is aligned, secure the inside cover plates with the supplied machine screws. **Note: Always tighten machine screws by hand!** Use a #3 Phillips head screwdriver for this. When tightening the screws alternate from one screw to the other so the pressure is evenly applied to the inside cover plate. Repeat the above process on the additional hinge(s).

2) After you mount the hinges on the door, mark each end of the curb with a mark that will represent the outside surface of the door glass. The glass is usually set in the center of the curb.

3) **Setting the door:** The door can now be set in the opening to mark the hinge placement. ASD heavy doors are configured to have a P990WS polycarbonate sweep installed on the bottom. The gap needed for this sweep is 7/16". Therefore, you will need 2)7/16" shims or setting blocks (wood and hard plastic/rubber are ok. No metal) to set the door on to ensure proper clearance for the sweep. Set the door on your blocks/shims and position it with your marks made on the curb. Use a level to set your door plumb with hinges against the wall. Now mark the outside screw holes of the hinge backplates using a pencil or ink marker. You will need an assistant to mark the inside holes or, if a 1 man install you will need an extra backplate of the hinge you are using to use as a template to mark the 2 inside holes after you have removed the door. (See drawing below).



4) Drill holes in wall using a 3/16" masonry drill bit. After drilling all holes, follow with a 1/4" masonry bit. Insert green 1/4" wall anchors. Cut anchors flush to tile surface if they do not fully insert. (Note: there should **always** be wood backing in the wall to secure screws to).

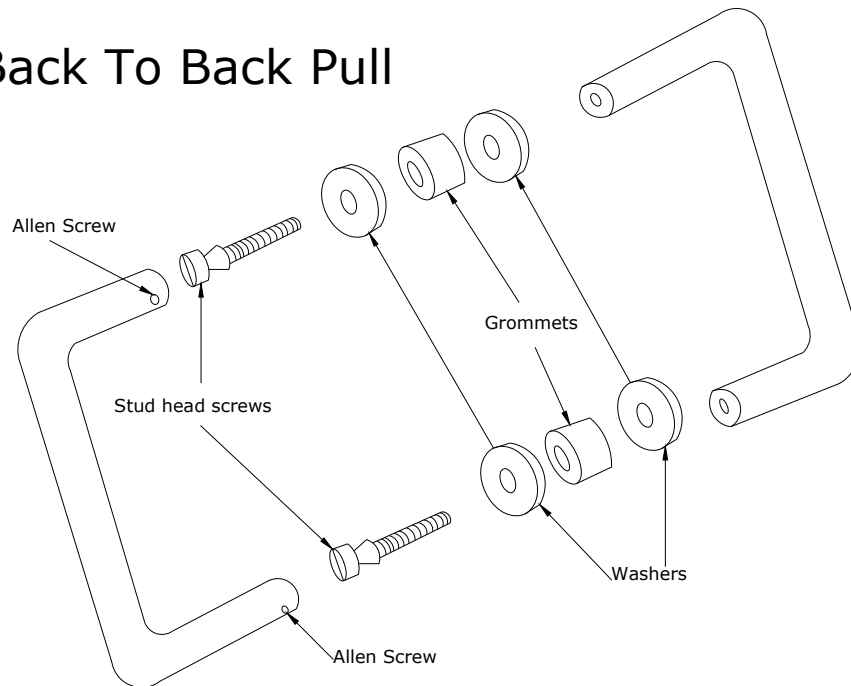
5) Set the door back into the opening onto the blocks/shims and line up door to marks on curb. Make sure hinges are against wall. The holes you drilled should match up with back plate holes. Use a drill with a 6" #2 Phillips screw bit to secure door to wall with screws provided with the hinges. (This is important as using a shorter screw bit will result in the chuck of the drill scratching the hinge). Remove setting blocks to check swing of door and make adjustments as necessary.

6) **Installing handle:** Take the two stud head mounting screws and sleeve one clear washer on each screw. Next, insert the clear grommets into the holes in the door. From the outside of the door, push the thread of the screws through the grommets in the holes in the glass. On the inside of the door, sleeve a clear washer onto the screws.

2) Take the pull that has the threaded hole in the end and begin to thread the top screw into it and then the bottom screw. Tighten the stud head screws down with a screwdriver (not a drill). This pull will be on the inside of the door.

3) Place the remaining pull, with the large holes and set screw, onto the stud heads of the screws. Tighten the set screws with Allen wrench provided 7) Refer to Seal Installation page for seal instructions. (See drawing below)

Back To Back Pull



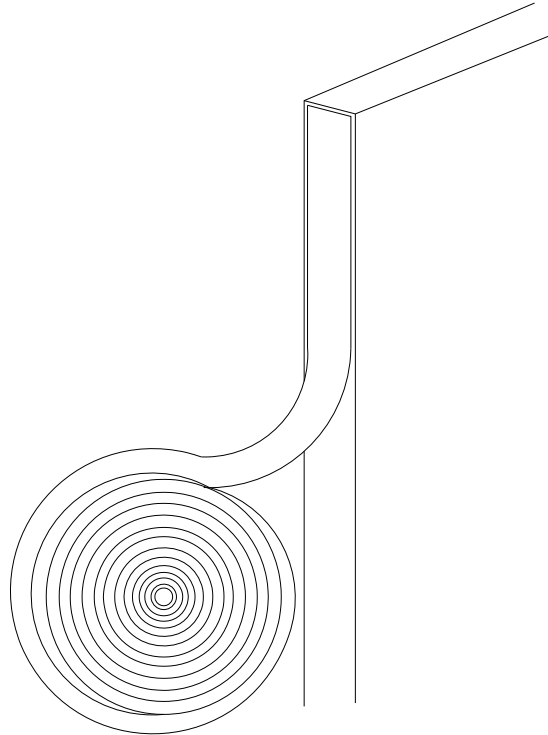
****When Applicable****
(in some applications there may not be room for seals and or sweeps)

Directions for SDTDF Double Fin, SDTJ-SDTB Bulb Seal, SDDTNL "L" Seal

When installing seals the glass edges should be clean and free from any dirt or hand oil etc... as these will prohibit adhesion. Glass cleaner will do.

Vertical seals will be applied to the edge of the glass using a VHB (very high bond) tape.

Apply VHB tape to edge of glass by adhering it top to bottom, gradually unrolling the tape as you slowly move from top to bottom. Apply the full length of glass. Cut flush to the bottom of door glass.



Then remove protective layer from other side and attach seal to the tape surface. Press on by hand. Cut flush to the bottom of the door using pliers-type cutter, scissors, or razor knife. The VHB tape will gain strength and achieve full bond within 72 hours.

Adjust door accordingly to achieve optimum seal.

Directions for P990WS Sweep

Cut seal to appropriate size using miter saw or hacksaw.

Place over bottom edge of door. Then, using a plastic covered mallet, gently pound on bottom sweep until it is fully on.

Silicone ends and horizontal seams from glass to plastic.