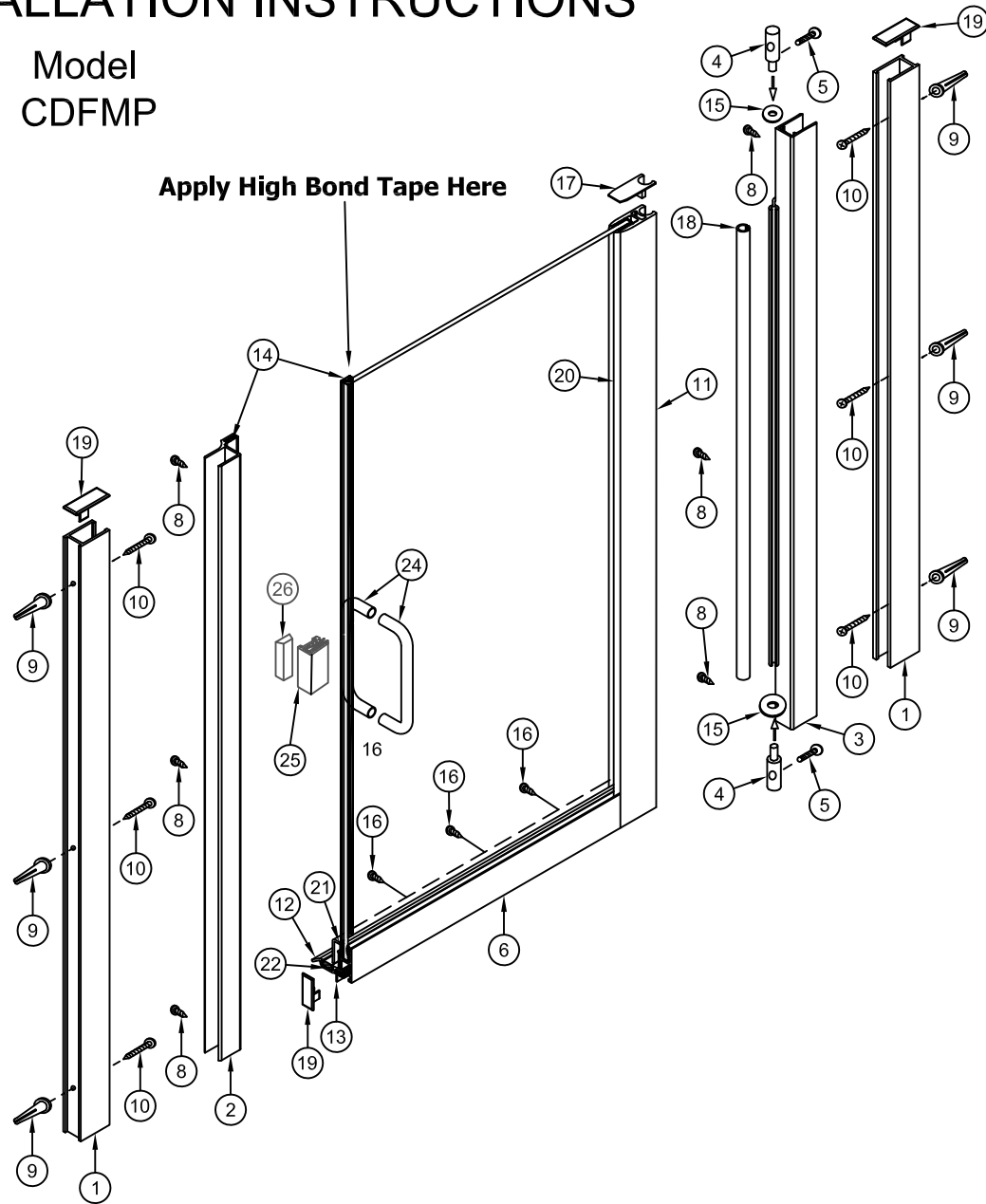


INSTALLATION INSTRUCTIONS

Model
CDFMP



When ordering replacement parts, please provide the following information:

1. Part Number
2. Part Name
3. Model Number
4. Specify design (if any)

To install your Shower Enclosure you will need the following:

- Level
- 1/8" and 9/64" Drill Bits
- (Tile) 3/16" Masonry Bit
- Phillips Screwdriver
- Sealant
- Hack Saw

#	Description	Qty	Part #	Picture
1	Wall Channel Jamb	2	ZD-1006	
2	Mag Latch Jamb	1	ZD-8004	
3	Hinge Jamb	1	ZD-2505A	
4	Hinge Pins	2	ZV-910	
5	#6-32X3/8" FH MS	2		
6	Bottom Rail	1	ZD-1002	
7	Back to Back Pull	1	ASD 8X8 T	
8	#6X3/8" PH SMS	6		
9	Wall Anchors	6	ZV-935	
10	#8X1 1/4" PH SMS	6		
11	Hinge Rail	1	ZD-2503A	
12	Drip Trough	1	ZD-2008	
13	Drip Vinyl	1	ZV-934	
14	Magnet Strip	1	ZV-987	
15	Washer	2	FW6516	
16	#6X1/4" PHB Point	3		
17	Top Cap	1	ZV-948	
18	Hinge Rail Sleeve	1	ZV-995	
19	Door Clip	3	ZV-940	
20	Hinge Rail- 3/16" Vinyl	ZV-925 3/16		
	Hinge Rail-1/4" Vinyl	ZV-925 1/4		
21	Bottom Rail-3/16" Vinyl	ZV-903		
	Bottom Rail-1/4" Vinyl	ZV-901		
22	Vinyl Drip Plug	1	ZV-905	
23	Handle Gasket 3/16"	1	ZV-917	
	Handle Gasket 1/4"	1	ZV-916	
24	Back to Back Pull		ASD 8X8 T	
25	Mag-U-Channel	1	MAG-4012A	
26	Magnet	1	MAG4013	

Arizona Corporate Office
2801 W. Indian School Rd
Phoenix, AZ 85017
800-255-1901 PH
602-447-8208 FAX

Florida
8100-1 Westside Industrial Dr
Jacksonville, FL 32219
855-695-8899 PH
904-786-9025 FAX

Illinois
2601 Bond St #1
University Park, IL 60484
800-861-6120 PH
708-235-0729 FAX

Oregon
2057 Lars Way
Medford, OR 97501
866-773-7905 PH
541-773-7909 FAX

Colorado
3871 Revere Street
Denver, CO 80239
866-574-1766 PH
303-574-1775 FAX

Utah
2594 S. 3600 West Suite A
West Valley City, UT 84119
877-402-5007 PH
801-972-3111 FAX

ARIZONA SHOWER DOOR

Tools you will need for this install

- ✓ Exploded View drawing of shower door
- ✓ 3/16" Masonry drill bit (use 9/64" drill bit for fiberglass)
- ✓ 1/8" drill bit
- ✓ Drill
- ✓ 4' Level
- ✓ Saw (Electric Chop saw or Hacksaw)
- ✓ Side cutting pliers
- ✓ #2 Phillips drill bit
- ✓ #2 Phillips screwdriver
- ✓ Tape Measure
- ✓ Pencil or Pen
- ✓ Caulking Gun
- ✓ 1-Tube of 100% Clear Silicone (no latex!)
- ✓ Vacuum Cleaner or Brush for clean up
- ✓ Glass Cleaner and Paper Towels
- ✓ Rubber Mallet
- ✓ File

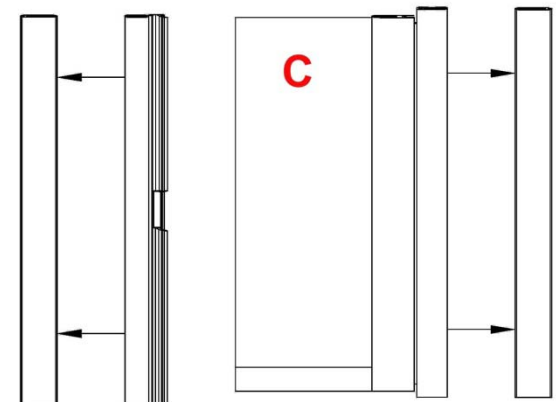
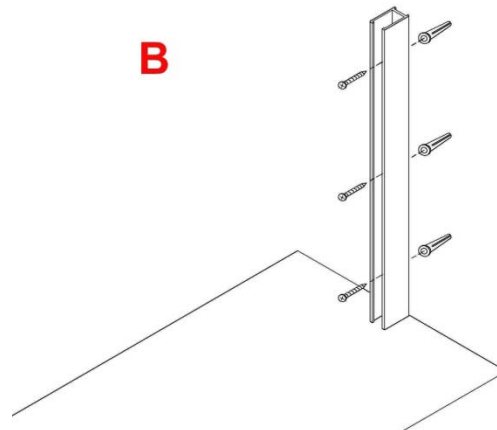
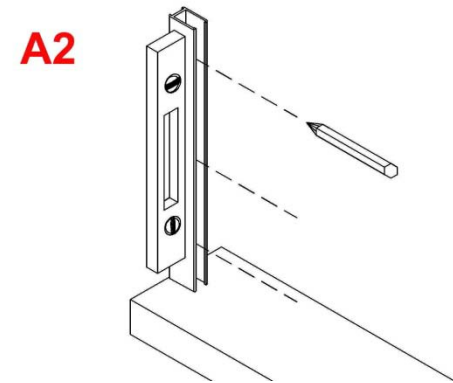
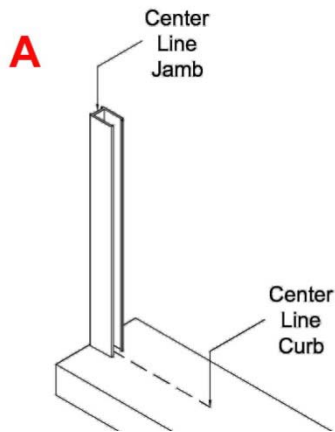
Installation Instructions for

Model CDFMP

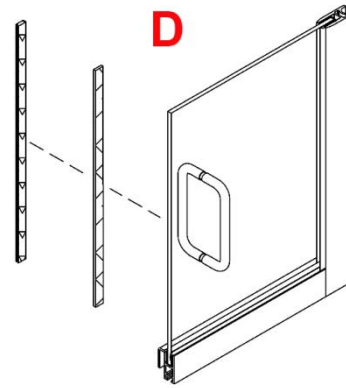
Note: These instructions will refer to the item #'s in the Exploded View drawing. For example, #1, #2, #3 etc... Please read through **all** of the instructions to get an over-view **before** you install the shower door.

1) Find the centerline of where the unit will be installed. This will usually be the center of the curb of the shower pan. Place a centerline mark at each end of the curb where it meets the wall. This mark will also represent the center of the ZD1006 wall jamb (item #1 in exploded view). Place the wall jamb against the wall and on top of the curb aligning centerline marks. Use a level to position the jamb plumb, then mark the installation holes with a pen or pencil (**A**). Repeat this procedure for the other jamb. Now drill the 6 holes with a 3/16" masonry bit (9/64" for fiberglass, & without anchors). Then insert the 6)-ZV935 screw anchors (#9) in the holes. Fasten the ZD1006 wall jambs in place using the #8X1-1/4 Phillips Pan Head screws provided (#10). (**B**)

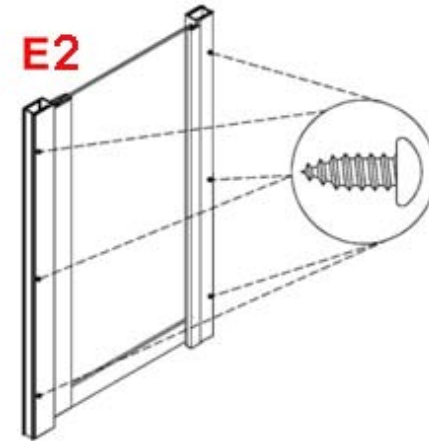
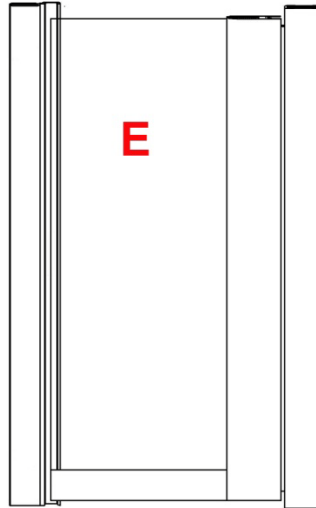
2) Slide the ZD8004 Magnetic Latch Jamb (#2) over the latch side wall jamb. Install the door by sliding the ZD2505A Door Hinge Jamb (#3) over the hinge side wall jamb. Do not fasten the door at this point. (**C**)



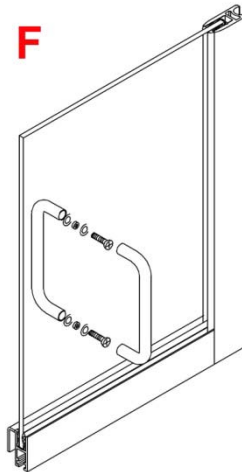
3) Inspect and fit the magnetic strip to figure out the side that will attract and not repel. Install the side that repels against the high bond tape that you will install. Attach the full length ZV987Magnetic Strip by applying the clear high bond tape along the inside of the door and aligning it with the edge of the glass, inseting about 1/16". Put it on all the way down until it touches the ZD1002. Cut here then remove protective layer off tape. Apply the magnetic strip to the tape in the same fashion by gradually unrolling until it reaches the bottom rail. Cut to fit. **(D)**



4) Note: (It will be helpful to have an assistant at this point to adjust and hold the door in place from the outside while you drill and fasten the latch jamb and the hinge jamb from the inside). Square up the door and align the two magnetic strips until they make a strong seal. Attach the door by drilling the six holes on the inside of the unit where the jambs are pre-drilled using an 1/8" drill bit and secure with the 6-#6X3/8" Pan Head screws (#8) **(E)**

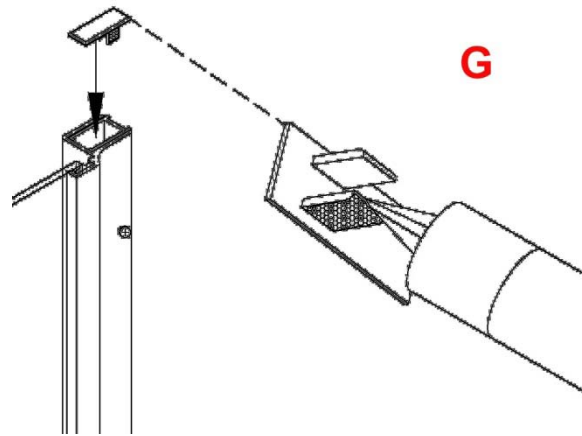


5) Attach the ASD 8X8 Handle **(F)** (#24). Take the two stud head mounting screws and sleeve one clear washer on each screw. Next, insert the clear grommets into the holes in the door. From the outside of the door, push the thread of the screws through the grommets in the holes in the glass. On the inside of the door, sleeve a clear washer onto the screws. Take the pull that has the threaded hole in the end and begin to thread the top screw into it and then the bottom screw. Tighten the stud head screws down with a screwdriver (not a drill). This pull will be on the inside of the door. Place the



remaining pull, with the large holes and set screw, onto the stud heads of the screws. Tighten the set screws with Allen wrench provided.

6) Place a small amount silicone on the legs of the 2-ZV940 Door Clips (#20) and place down into the top of the 1006's to cap the opening. You may have to trim them to fit with side cutters. **(G)**



7) Adjust ZD2008 Drip Trough (#12) on door to slope towards the hinge. **(H)**

8) Run a bead of silicone on the inside and outside where the wall jamb meets the shower wall. Inspect the install and caulk any gap that might let water through. **(I)**

