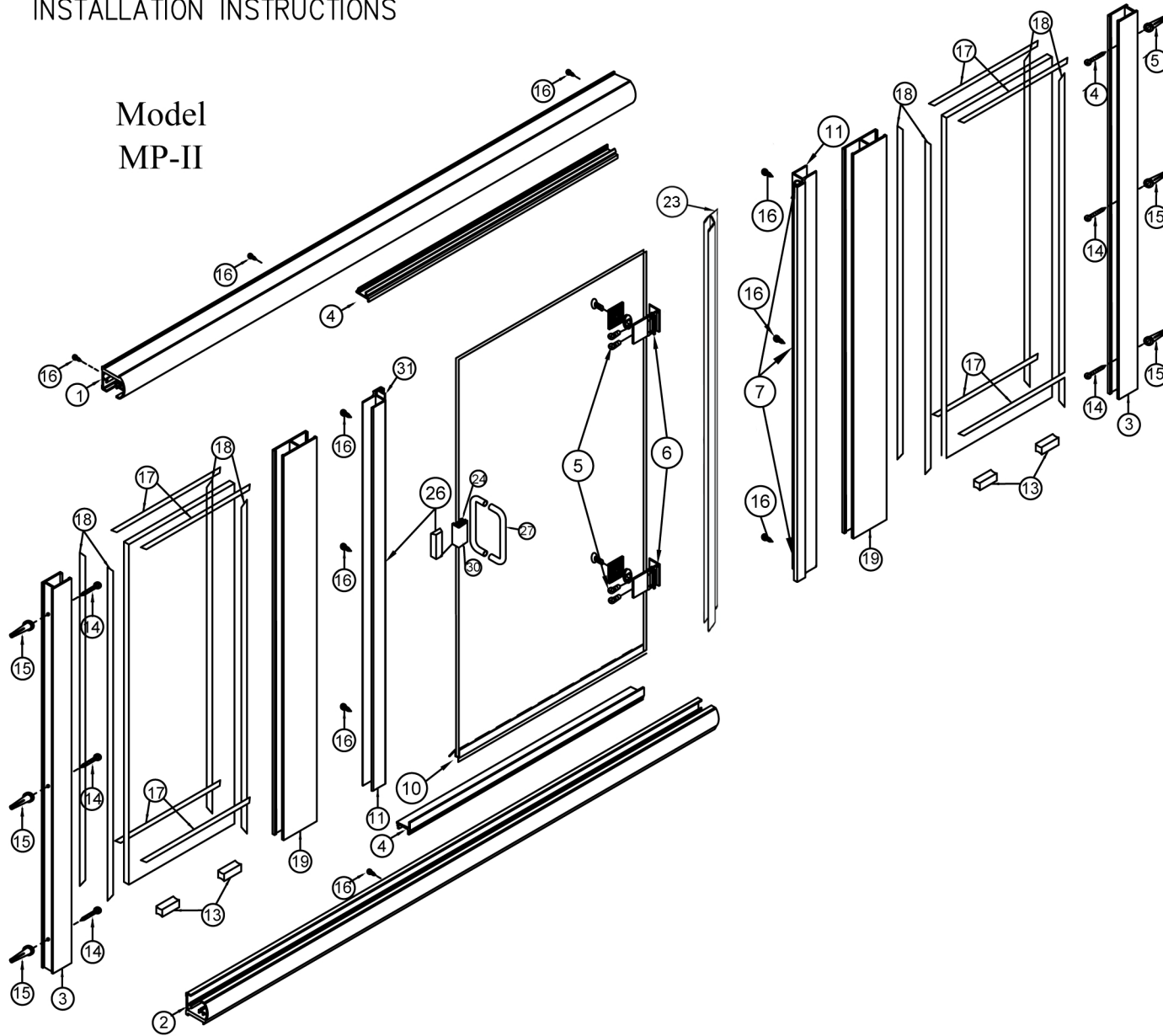


INSTALLATION INSTRUCTIONS

Model
MP-II



#	Description	Qty.	Part #	Picture
1	Header	1	ZSS-2101	
2	Curb	1	ZSS-2101	
3	Wall Jamb	2	ZD-1006	
4	Snap-In Filler	2	ZSS-2102	
5	#8 x 1/4SS	4		
6	Patch Hinge	2	ASD-600F	
7	Bulb Seal	3	ZV-919	
8	NA			
9	NA			
10	Bottom Rail-1/4" Poly	1	ZVP-14WS	
11	Latch Jamb	2	ZD-8004	
12	NA			
13	Glass Setting Blocks	4	ZV-902	
14	Wall Jamb Inst. Screws	6	#8x1 1/4" PH SMS	
15	Wall Anchors	6	ZV-935	
16	Installation Screw	9	#6x3/8" PH SMS	
17	Horizontal Wedge Vinyl		ZV-906	
18	Vertical Wedge Vinyl		ZV-909	
19	180° Post	2	ZSS-1103	
20	NA			
21	NA			
22	NA			
23	Hinge Seal	1	P14WS	
24	Handle Gasket 1/4"		ZV-916	
25	NA			
26	Magnet	1	MAG4013	
27	Back to Back Pull	1	ASD-8x8T	
28	NA			
29	NA			
30	Mag-U-Channel	1	MAG-4012A	
31	Strike Gasket	1	ZV-907	

When ordering replacement parts, please provide the following information:

1. Part Number
2. Part Name
3. Model Number
4. Specify design (if any)

To install your Shower Enclosure you will need the following:

- Level
- 1/8" and 9/64" Drill Bits
- (Tile) 3/16" Masonry Bit
- Phillips Screwdriver
- Sealant
- Hack Saw

Arizona Corporate Office
2801 W. Indian School Rd
Phoenix, AZ 85017
800-255-1901 PH
602-447-8208 FAX

Florida
8100-1 Westside Industrial Dr
Jacksonville, FL 32219
855-695-8899 PH
904-786-9025 FAX

Illinois
2601 Bond St #1
University Park, IL 60484
800-861-6120 PH
708-235-0729 FAX

Oregon
2057 Lars Way
Medford, OR 97501
866-773-7905 PH
541-773-7909 FAX

Colorado
3871 Revere Street
Denver, CO 80239
866-574-1766 PH
303-574-1775 FAX

Utah
2594 S. 3600 West Suite A
West Valley City, UT 84119
877-402-5007 PH
801-972-3111 FAX

ARIZONA SHOWER DOOR

Tools you will need for this install

- ✓ Exploded View drawing of shower door
- ✓ 3/16" Masonry drill bit (use 9/64" drill bit for fiberglass)
- ✓ 1/8" drill bit
- ✓ Drill
- ✓ 4' Level
- ✓ Saw (Electric Chop saw or Hacksaw)
- ✓ Side cutting pliers
- ✓ #2 Phillips drill bit
- ✓ #2 Phillips screwdriver
- ✓ Tape Measure
- ✓ Pencil or Pen
- ✓ Caulking Gun
- ✓ 1-Tube of 100% Clear Silicone (no latex!)
- ✓ Vacuum Cleaner or Brush for clean up
- ✓ Glass Cleaner and Paper Towels
- ✓ Rubber Mallet
- ✓ File

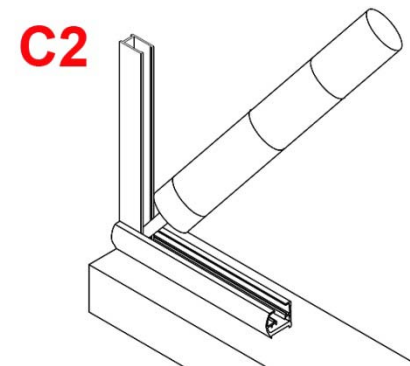
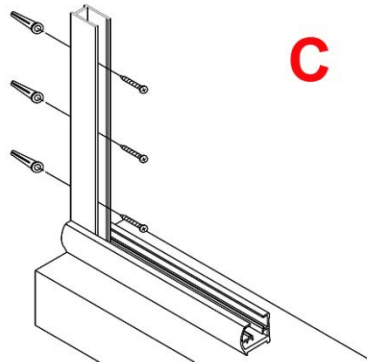
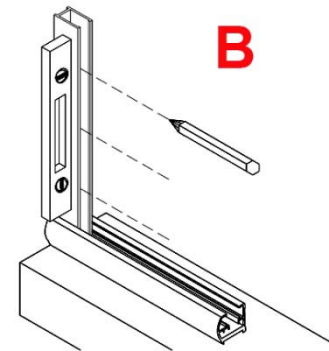
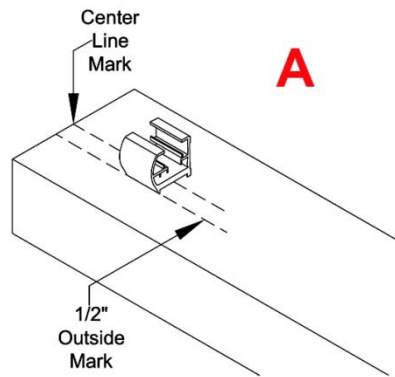
Installation Instructions for

Model MP-I-I

Note: These instructions will refer to the item #'s in the Exploded View drawing. For example, #1, #2, #3 etc... Please read through **all** of the instructions to get an over-view **before** you install the shower door.

1) Find the centerline of where the unit will be installed. This will usually be the center of the curb of the shower pan. Place a mark 1/2" inch to the outside of centerline at each end of the curb where it meets the wall. These marks will represent the outside of the ZSS-2101 Curb (item #2 in exploded view) **(A)**. Measure the distance between the walls at the top of the Shower Threshold. Cut the Curb ZSS-2101 to this dimension. Place a Wall Jamb ZD-1006 (#3) against the wall and down into the Curb. Use a level to position the jamb plumb, then mark the installation holes with a pen or pencil **(B)**. Repeat this procedure for the other jamb. Now drill the 6 holes with a 3/16" masonry bit (9/64" for fiberglass, & without anchors). Then insert the 6-ZV935 screw anchors (#15) in the holes. Fasten the ZD-1006 wall jambs in place using the #8X1-1/4 Phillips Pan Head screws provided (#14). Fill the corner with Caulk on the inside of the ZSS-2101 to protect against water leaks **(C)**.

2) Place two Setting Blocks ZV902 (#13) into the Curb on each side where your panels will be.

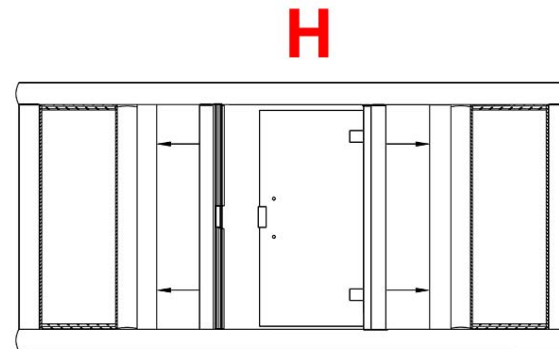
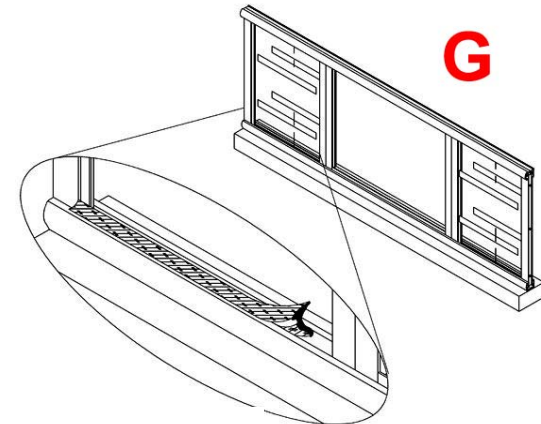
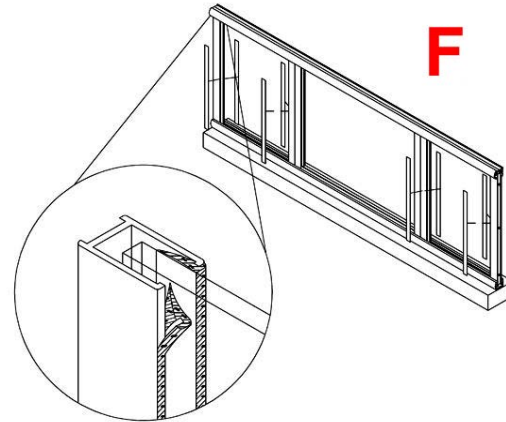
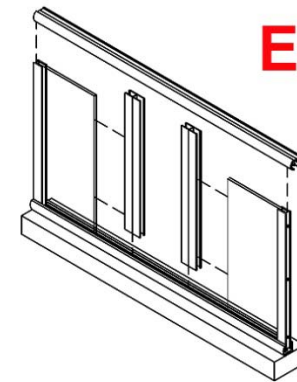
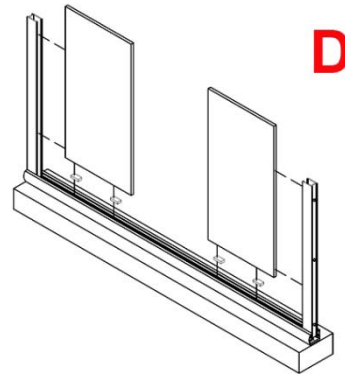


Insert the Glass into the ZSS-2101Curb and the ZD-1006 Wall Jamb (D).

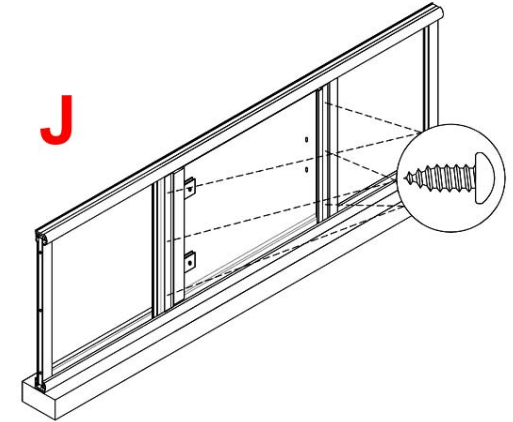
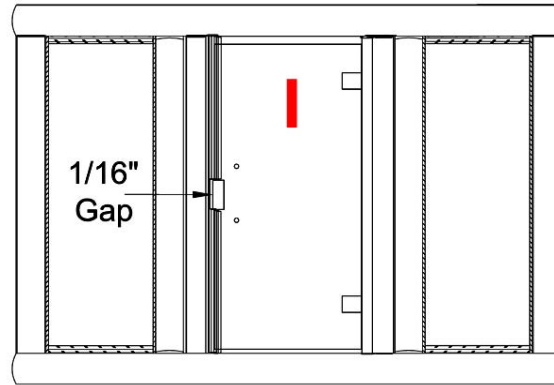
3) Measure the distance between the walls at the top of the Jamb. Cut the Header ZSS-2101 (#1) to this dimension. Insert the 180 Posts ZSS-1103 (#19) into the Curb and onto the edge of each glass. Place the Header over and down onto the Wall Jamb and 180 Posts. Do not secure the header at this point (E).

4) Insert the ZV909 Wedge Vinyl (#18) into the jambs on both sides of the glass. A block of wood will help push the vinyl in (F). Slightly wet the vinyl with water to ease install. The flat side goes against the glass. Push in until locking groove locks into the edge of the jamb. Then insert the horizontal ZV906 (#17) Wedge vinyl between the glass and the curb, and the glass and the header (top and bottom) inside and out. Notice the locking groove. Do not stretch either vinyl as they will shrink over time creating gaps where water can get into. At step 11, caulk all the joints where vertical vinyl meets horizontal vinyl. (G)

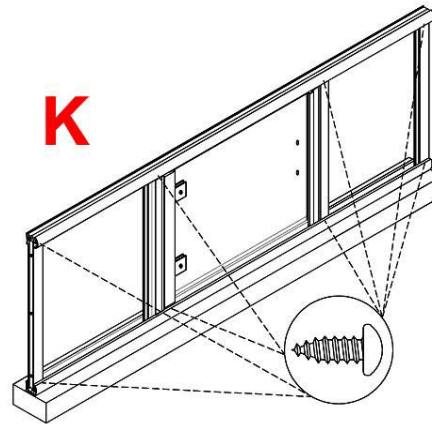
5) Hang the door. Slide the ZD8004 “Magnetic Latch Jamb” (#2) over the latch side wall jamb. (Note: There are two ZD8004’s. The “Magnetic Latch Jamb” is **not** attached to the Door Glass.) Next install the door by sliding the ZD8004 “Door Hinge Jamb” (#2) over the hinge side wall jamb. Do not fasten the door at this point. Note: (It will be helpful to have an assistant at this point to adjust and hold the door in place from the outside while you drill and fasten the latch jamb and the hinge jamb from the inside) (H).



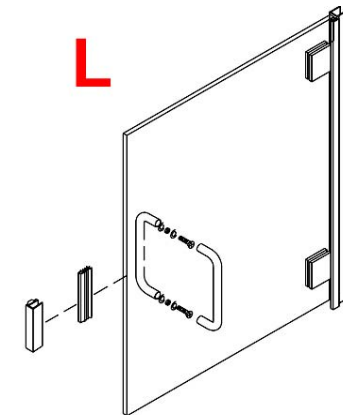
First you will need to attach the MAG4012 (#4) by placing the ZV 916 for ¼" glass (#23) over the edge of the glass then tapping the MAG4012 over the gasket and on to the glass with a rubber mallet aligning it to the magnet on the latch jamb. (See (L) for help). Square up the door and align the edge of the door glass parallel with the latch jamb leaving a 1/16" gap between the ZD8004 and the MAG4012 (I). Attach the door by drilling the six holes on the inside of the unit where the jambs are pre-drilled using a 1/8" drill bit and secure with the 6-#6X3/8" Pan Head screws (#16) (J)



6) Secure the header and 180° post. Drill a 1/8" hole on the inside through the ZSS-2101 header into the ZD1006 and also through the ZSS-2101 Header into the 180° Post (the side that is **NOT** holding the glass). Also, on the inside, drill through the ZSS-2101 Curb into the 180 Post. Run the #6X3/8" screws into the holes (K).



7) Attach the ASD 8X8 Handle (#27). Take the two stud head mounting screws and sleeve one clear washer on each screw. Next, insert the clear grommets into the holes in the door. From the outside of the door, push the thread of the screws through the grommets in the holes in the glass. On the inside of the door, sleeve a clear washer onto the screws. Take the pull that has the threaded hole in the end and begin to thread the top screw into it and then the bottom screw. Tighten the stud head screws down with a screwdriver (not a drill). This pull will be on the inside of the door. Place the remaining pull, with the large holes and set screw, onto the stud heads of the screws. Tighten the set screws with Allen wrench provided. (L).



8) Now you need to cut the Snap In Filler ZSS2102 (#4). There are a number of ways to calculate the size of the ZSS2102. This simple method will work for standard width as well as custom. Measure the distance in-between the ZD8004 “Magnetic Latch Jamb” and the ZD8004 “Door Hinge Jamb”. This will be the size of your ZSS2102. Cut to that Dimension **(M)**.

9) Snap the fillers into the 2101’s top and bottom. There is a small lip on the filler. This faces to the outside of the unit **(N)**.

10) Cut the Bottom Poly Rail (ZVP-316WS for 3/16” glass, ZVP-14WS for 1/4” glass) then push over the bottom edge of the glass. Run a cap bead of silicone on the inside where the glass and poly meet to prevent water seeping down into the sweep between the glass and poly. **(O)**.

11) Run a bead of silicone on the gap between the metal and the shower surface inside and out around the entire unit. Fill all joints and gaps where metal meets metal and fill with a fine bead **(P)**.

