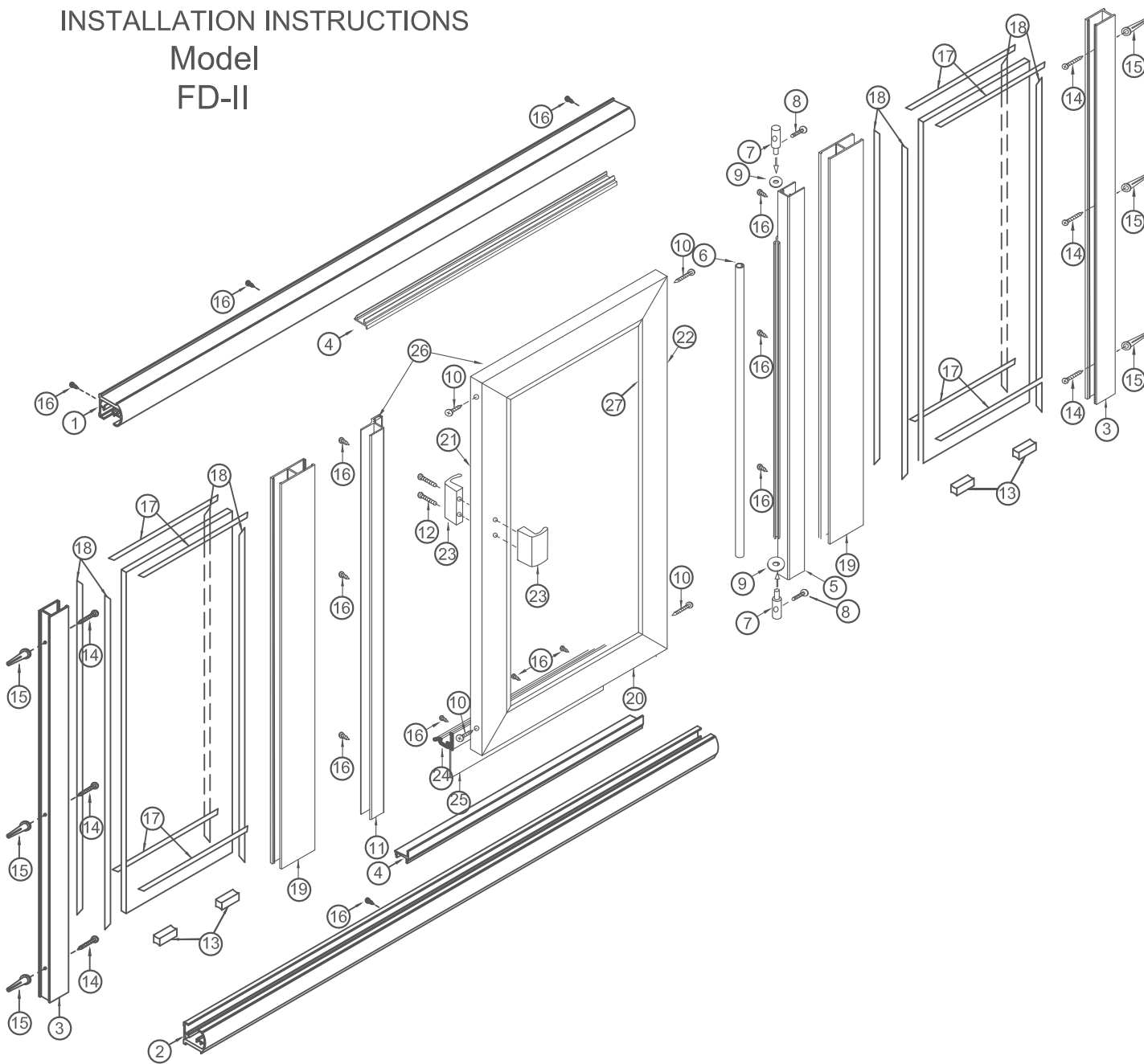


INSTALLATION INSTRUCTIONS

Model FD-II



When ordering replacement parts, please provide the following information:

1. Part Number
2. Part Name
3. Model Number
4. Specify design (if any)

To install your Shower Enclosure you will need the following:

- Level
- 1/8" and 9/64" Drill Bits
- (Tile) 3/16" Masonry Bit
- Phillips Screwdriver
- Sealant
- Hack Saw

#	Description	Qty.	Part #	Picture
1	Header	1	ZSS-2101	
2	Curb	1	ZSS-2101	
3	Wall Jamb	2	ZD-1006	
4	Snap-In Filler	2	ZSS-1102	
5	Hinge Jamb	1	ZD-2505A	
6	Hinge Rail Sleeve	1	ZV-995	
7	Hinge Pins	2	ZV-910	
8	Hinge Pin Screw	2	#6-32x3/8" FH MS	
9	Washer	2	WS-516	
10	#6 X 1 1/4" PH SMS	4		
11	Latch Jamb	1	ZD-8004	
12	#6 X 1 3/4" FHMS	2		
13	Glass Setting Blocks	4	ZV-902	
14	Wall Jamb Inst. Screws	6	#8x1 1/2" PH SMS	
15	Wall Anchors	6	ZV-935	
16	Installation Screw	13	#6x3/8" PH SMS	
17	Horizontal Wedge Vinyl		ZV-906	
18	Vertical Wedge Vinyl		ZV-909	
19	180° Post	2	ZSS-1103	
20	Top & Bottom Rail	2	ZTE-7202	
21	Magnet Rail	1	ZD-8507	
22	Hinge Rail	1	ZD-8503	
23	Door Handle Assembly	2	ZD-8556	
24	Drip Rail	1	ZD-8008	
25	Drip Vinyl	1	ZV-913	
26	Magnet Strip		ZV-987	
27	Glazing Vinyl 3/16"		ZV-903-3/16	
	Gazing Vinyl 1/4"		ZV-901-1/4	

Arizona Corporate Office
2801 W. Indian School Rd
Phoenix, AZ 85017
800-255-1901 PH
602-447-8208 FAX

Florida
8100-1 Westside Industrial Dr
Jacksonville, FL 32219
855-695-8899 PH
904-786-9025 FAX

Illinois
2601 Bond St #1
University Park, IL 60484
800-861-6120 PH
708-235-0729 FAX

Oregon
2057 Lars Way
Medford, OR 97501
866-773-7905 PH
541-773-7909 FAX

Colorado
3871 Revere Street
Denver, CO 80239
866-574-1766 PH
303-574-1775 FAX

Utah
2594 S. 3600 West Suite A
West Valley City, UT 84119
877-402-5007 PH
801-972-3111 FAX

ARIZONA SHOWER DOOR

Tools you will need for this install

- ✓ Exploded View drawing of shower door
- ✓ 3/16" Masonry drill bit (use 9/64" drill bit for fiberglass)
- ✓ 1/8" drill bit
- ✓ Drill
- ✓ 4' Level
- ✓ Saw (Electric Chop saw or Hacksaw)
- ✓ Side cutting pliers
- ✓ #2 Phillips drill bit
- ✓ #2 Phillips screwdriver
- ✓ Tape Measure
- ✓ Pencil or Pen
- ✓ Caulking Gun
- ✓ 1-Tube of 100% Clear Silicone (no latex!)
- ✓ Vacuum Cleaner or Brush for clean up
- ✓ Glass Cleaner and Paper Towels
- ✓ Rubber Mallet
- ✓ File

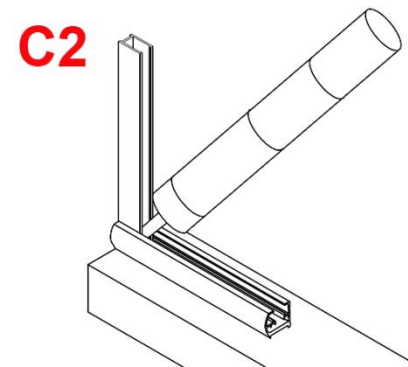
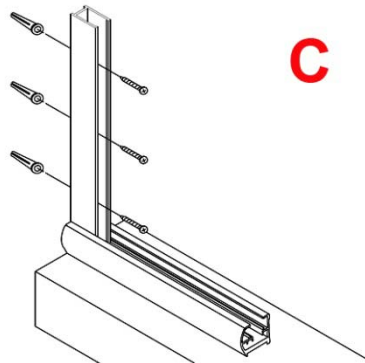
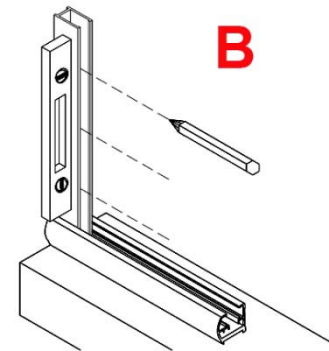
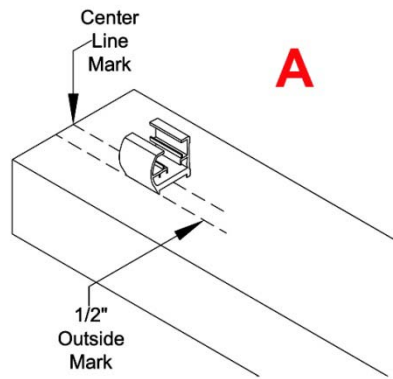
Installation Instructions for

Model FD-I-I

Note: These instructions will refer to the item #'s in the Exploded View drawing. For example, #1, #2, #3 etc... Please read through **all** of the instructions to get an over-view **before** you install the shower door.

1) Find the centerline of where the unit will be installed. This will usually be the center of the curb of the shower pan. Place a mark 1/2" inch to the outside of centerline at each end of the curb where it meets the wall. These marks will represent the outside of the ZSS-2101 Curb (item #2 in exploded view) **(A)**. Measure the distance between the walls at the top of the Shower Threshold. Cut the Curb ZSS-2101 to this dimension. Place a Wall Jamb ZD-1006 (#3) against the wall and down into the Curb. Use a level to position the jamb plumb, then mark the installation holes with a pen or pencil **(B)**. Repeat this procedure for the other jamb. Now drill the 6 holes with a 3/16" masonry bit (9/64" for fiberglass, & without anchors). Then insert the 6)-ZV935 screw anchors (#15) in the holes. Fasten the ZD-1006 wall jambs in place using the #8X1-1/4 Phillips Pan Head screws provided (#14). Fill the corner with Caulk on the inside of the ZSS-2101 to protect against water leaks **(C)**.

2) Place two Setting Blocks ZV902 (#13) into the Curb on each side where your panels will be.



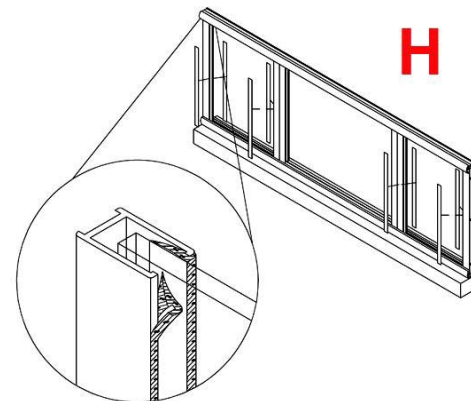
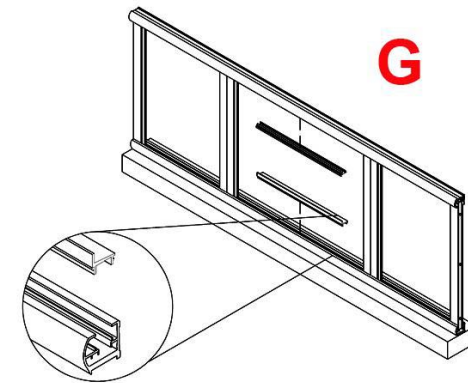
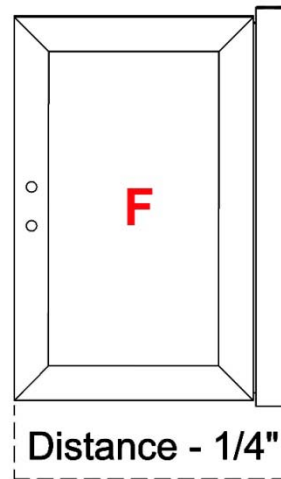
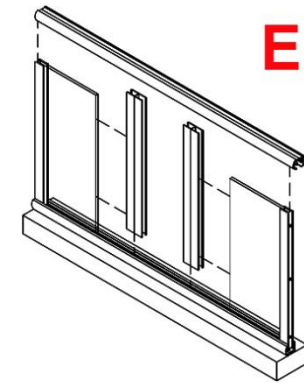
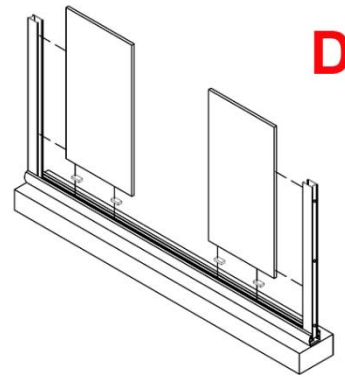
Insert the Glass into the ZSS-2101Curb and the ZD-1006 Wall Jamb (D).

3) Measure the distance between the walls at the top of the Jamb. Cut the Header ZSS-2101 (#1) to this dimension. Insert the 180 Posts ZSS-1103 (#19) into the Curb and onto the edge of each glass. Place the Header over and down onto the Wall Jamb and 180 Posts. Do not secure the header at this point (E).

4) At this point your header, curb, wall jamba, inline glass, and 180 degree posts are up. Now you need to cut the Snap In Filler ZSS-1102 (#4). There are a number of ways to calculate the size of the ZSS-1102. This simple method will work for standard width as well as custom. Measure the overall width of the door. This is the outside edge of the ZD-2505A to the outside edge of the frame on the handle side. Take that dimension and subtract 1/4" and that dimension will be your snap in size (F). For example, if the overall width of the door is 29-3/4" then the snap in size is 29-1/2".

5) Snap the fillers into the ZSS-2101's top and bottom in between the 180 posts. There is a small lip on the filler. This faces to the outside of the unit (G).

6) Insert the ZV909 Wedge Vinyl (#18) into the jamb on both sides of the glass. A block of wood will help push the vinyl in (H). Slightly wet the vinyl with water to ease install. The flat side goes against the glass. Push in until locking groove locks into the edge of the jamb. Then insert the horizontal ZV906 (#17) Wedge vinyl between the glass and the curb, and the glass



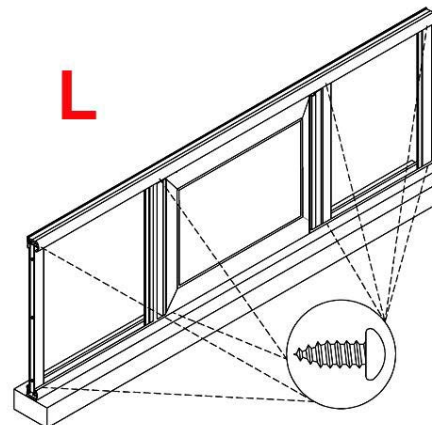
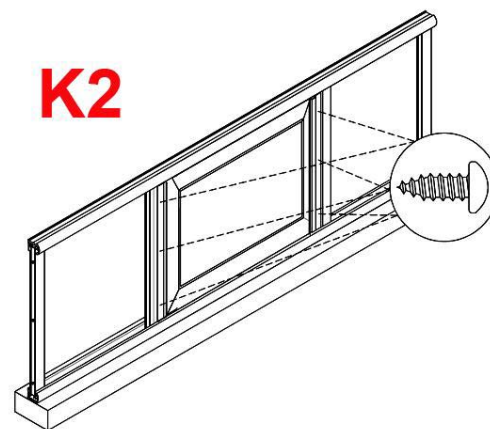
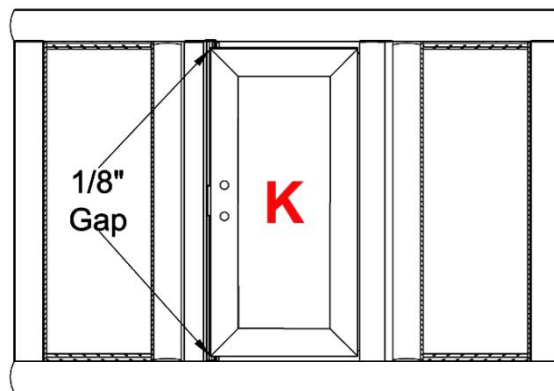
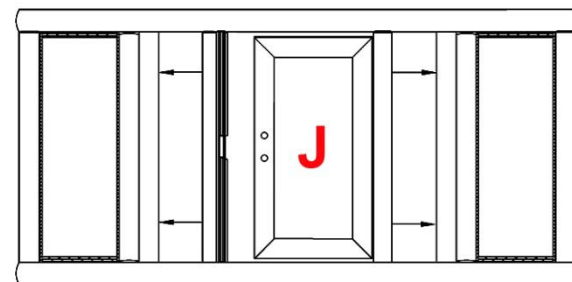
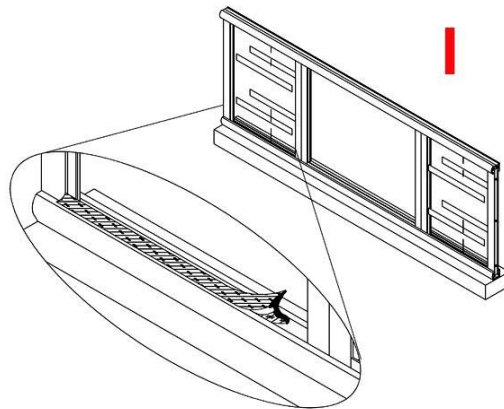
and the header (top and bottom) inside and out. Notice the locking groove. Do not stretch either vinyl as they will shrink over time creating gaps where water can get into (I). At step 11 caulk all the joints where vertical vinyl meets horizontal vinyl.

7) Hang the door. Slide the ZD-8004 Magnetic Latch Jamb (#11) over the latch side jamb. Install the door by sliding the ZD-2505A Door Hinge Jamb (#5) over the hinge side jamb. Do not fasten the door at this point.

Note: (It will be helpful to have an assistant at this point to adjust and hold the door in place from the outside while you drill and fasten the latch jamb and the hinge jamb from the inside) (J).

Square up the door and align the edge of the door that has the magnetic strip parallel with the latch jamb leaving a 1/8" gap between the two. The door will close against the latch jamb. Adjust so the latch is strong. Plumb the door as well as you can then attach the door. Attach the door by drilling the six holes on the inside of the unit where the jamba are pre-drilled using a 1/8" drill bit and secure with the 6-#6X3/8" Pan Head screws (#16) (K).

8) Secure the header and 180 post. Drill a 1/8" hole on the inside through the ZSS-2101 header into the ZD-1006 and also through the ZSS-2101 Header into the 180 Post (the side that is **NOT** holding the glass). Also, on the inside, drill through the ZSS-2101 Curb into the 180 Post. Run the #6X3/8" screws into the holes (L).



9) Attach the ZD8556 Door Handle (#23) to the door frame (refer to the exploded view drawing) **(M)**.

10) Attach the ZD-8008 Drip Rail (#24) to the inside bottom door rail. From the inside of the shower. Peel off the protective paper from the adhesive. Position the drip rail 1/2" from the edge (handle side) of the door while maintaining approximately a 1/16" gap from the top of the ZSS-1102 Snap In Filler and the vinyl sweep. Press on then secure by drilling holes through the sweep and into the bottom door rail. Use #6X3/8" screws to secure. Note: the glass sits down into the bottom rail approximately 3/8" so be careful not to drill into the glass **(N)**.

11) Run a bead of silicone on the gap between the metal and the shower surface inside and out around the entire unit. Fill all joints and gaps where metal meets metal and fill with a fine bead **(O)**.

