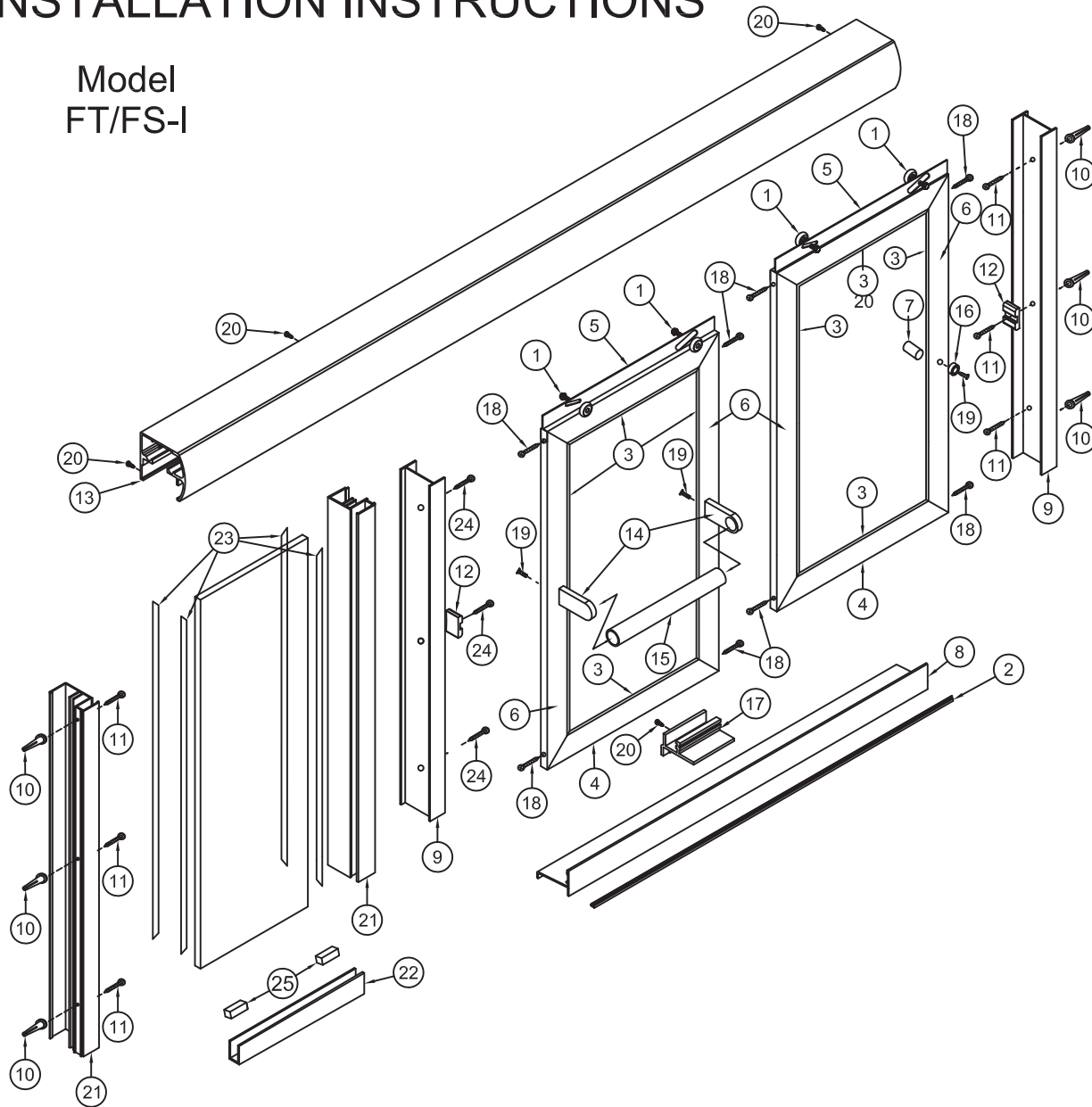


INSTALLATION INSTRUCTIONS

Model
FT/FS-I



When ordering replacement parts, please provide the following information:

1. Part Number
2. Part Name
3. Model Number
4. Specify design (if any)

To install your Shower Enclosure you will need the following:

- Level
- 1/8" and 9/64" Drill Bits
- (Tile) 3/16" Masonry Bit
- Phillips Screwdriver
- Sealant
- Hack Saw

#	Description	Qty	Part #	Picture
1	Roller Wheel Assbly	4	ZA-99	
2	Curb Vinyl	1	ZV-963	
3	Glazing Vinyl		ZV-903	
4	Bottom Rail	2	ZTE-7202	
5	Top Rail	2	ZTE-7208	
6	Side Rail	4	ZTE-7201	
7	Framed Knob	1	ZTE-7204	
8	Curb	1	ZTE-7222	
9	Wall Jamb	2	ZTE-7203	
10	Screw Anchor	6	ZV-935	
11	#8x1 1/4 Pan Head Screw	6		
12	Jamb Bumper	2	ZV-927	
13	Header	1	ZTE-7200	
14	Towel Bar Bracket	2	ZTE-7206	
15	Towel Bar	1	ZTE-7205	
16	Button Knob	1	ZFTE BKCIR	
17	Center Guide	1	ZV-972	
18	#6x1 1/4 PH SMS	8		
19	#6/32x1 PH Truss Head	3		
20	#6x3/8 Machine Screw	4		
21	180 Jamb Post	2	ZTE-7218	
22	Buttress Curb	1	ZD-1014	
23	Vertical Wedge Vinyl	4	ZV-909	
24	#8x1 Pan Head Screw	3		
25	Setting Block	2	ZV-902	

Arizona Corporate Office
2801 W. Indian School Rd
Phoenix, AZ 85017
800-255-1901 PH
602-447-8208 FAX

Florida
8100-1 Westside Industrial Dr
Jacksonville, FL 32219
855-695-8899 PH
904-786-9025 FAX

Illinois
2601 Bond St #1
University Park, IL 60484
800-861-6120 PH
708-235-0729 FAX

Oregon
2057 Lars Way
Medford, OR 97501
866-773-7905 PH
541-773-7909 FAX

Colorado
3871 Revere Street
Denver, CO 80239
866-574-1766 PH
303-574-1775 FAX

Utah
2594 S. 3600 West Suite A
West Valley City, UT 84119
877-402-5007 PH
801-972-3111 FAX

ARIZONA SHOWER DOOR

Tools you will need for this install

- ✓ Exploded View drawing of shower door
- ✓ 3/16" Masonry drill bit (use 9/64" drill bit for fiberglass)
- ✓ 1/8" drill bit
- ✓ Drill
- ✓ 4' Level
- ✓ Saw (Electric Chop saw or Hacksaw)
- ✓ Side cutting pliers
- ✓ #2 Phillips drill bit
- ✓ #2 Phillips screwdriver
- ✓ Tape Measure
- ✓ Pencil or Pen
- ✓ Caulking Gun
- ✓ 1-Tube of 100% Clear Silicone (no latex!)
- ✓ Vacuum Cleaner or Brush for clean up
- ✓ Glass Cleaner and Paper Towels
- ✓ Rubber Mallet
- ✓ File

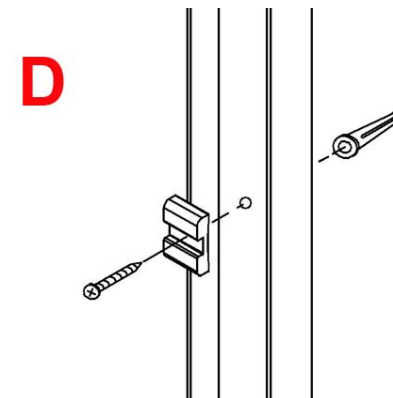
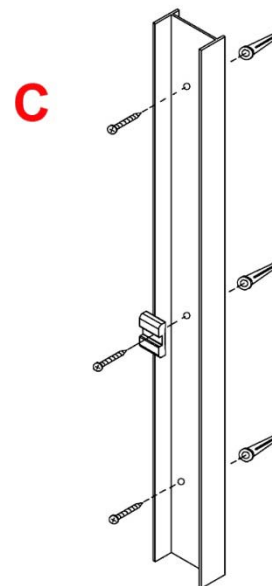
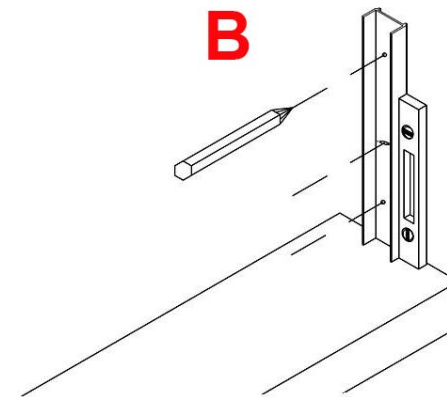
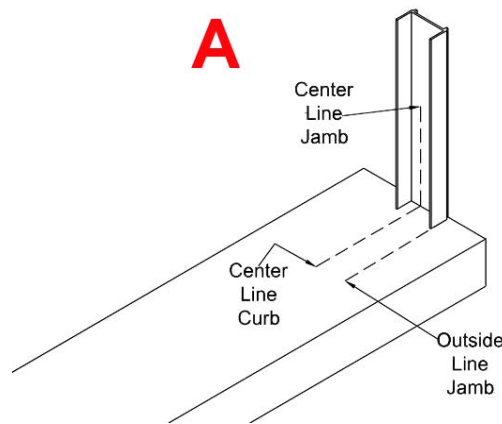
Installation Instructions for

Model FT-I & FS-I

Note: These instructions will refer to the item #'s in the Exploded View drawing. For example, #1, #2, #3 etc... Please read through **all** of the instructions to get an over-view **before** you install the door.

1) Typical placement for the shower door is in the center of the curb or tub ledge. Make marks on the curb/tub ledge to represent where the **outside** of the shower door will sit. Place the ZTE-7203 wall jamb (item #1 in exploded view) against the showerhead wall of the shower and on top of the ledge or curb aligning the outside edge of the jamb to the outside mark that was previously made **(A)**. Use a level to position the jamb plumb, then mark the installation holes with a pen or pencil **(B)**. **NOTE:** If you are installing on fiberglass you might have to file a radius on the backside of your jambs where the ledge/curb and the wall meet.

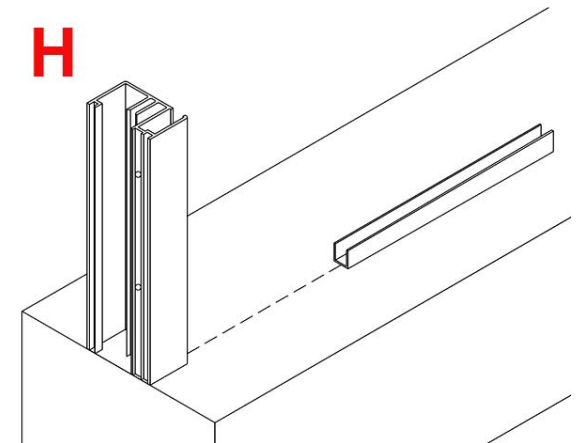
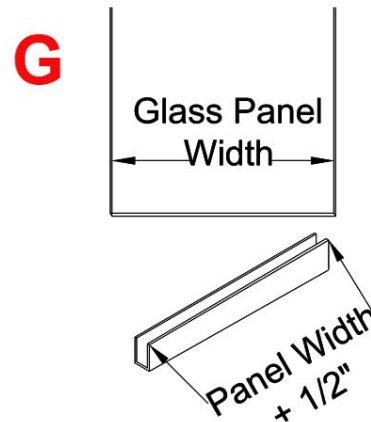
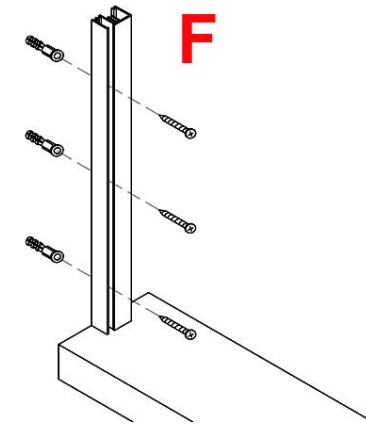
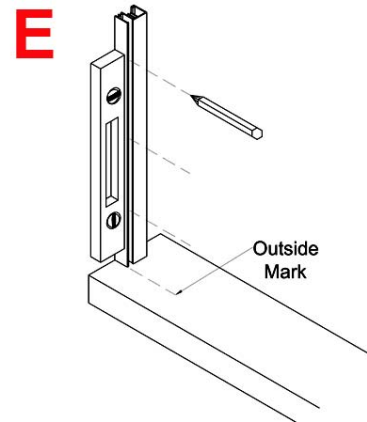
2) Now drill the 3 holes with a 3/16" masonry bit (9/64" regular bit for fiberglass, & without anchors). Then insert the 3)-ZV935 screw anchors (#5) in the holes. Fasten the ZTE7203 wall jamb in place using the #8X1-1/4 Phillips Pan Head screws provided (#6) **(C)**. **Important Note:** One ZV927 Jamb Bumper (#7) needs to be installed with the bottom screw on the jamb, on the showerhead side of the unit. Install the other two ZV927 bumpers with the center



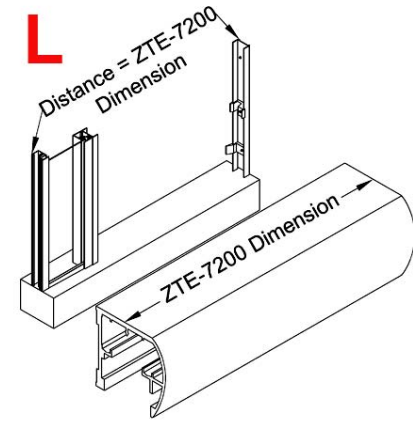
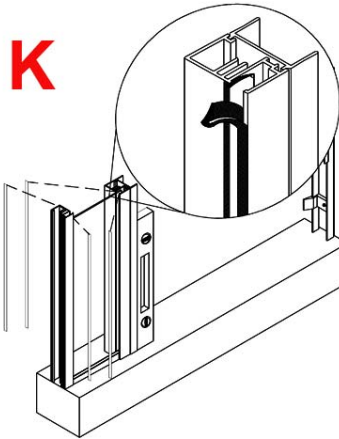
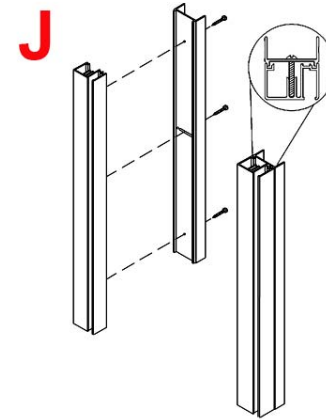
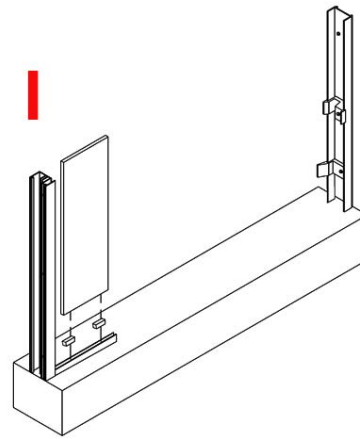
screws of the wall jambs (D). Refer to the exploded view drawing.

3) Note: The glass pocket in the ZTE-7218 is offset to the outside. Place the ZTE-7218 180° Jamb Post (#14) against the opposite wall and on top of the ledge or curb aligning the outside edge of the post to the outside mark that was previously made. Use a level to position the jamb plumb, then mark the installation holes with a pen or pencil (Note: Holes may need to be drilled in ZTE-7218 glass pocket) (E). Now drill the 3 holes with a 3/16" masonry bit. Then insert the 3)-ZV935 screw anchors (#5) in the holes. Fasten the ZTE-7218 180° Jamb Post in place using the #8X1-1/4 Phillips Pan Head screws provided (F).

4) Cut the ZD-1014 Buttress Curb (#15) 1/2" wider than the inline panel of glass. This is the horizontal channel that holds the fixed panel (G). Put a dab of silicone in the inside corner of the ZTE-7218 Wall Jamb then insert the ZD-1014 and push over into the ZTE-7218 aligning it to the outside marks that were made in step 1 (H). **Note:** The ZD-1014 will be secured after the final step of running silicone at the end of the install. When the silicone cures then the ZD-1014 will be solid.

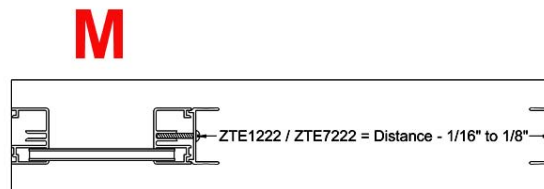


5) Cut two setting blocks at 1/4" tall and insert them down into the ZD-1014 for the glass to sit on. Then place the fixed panel into the wall jamb and down into the bottom channel until the bottom channel extends past the glass approximately 1/4" **(I)**. Attach the ZTE-7203 and the ZTE-77218 by screwing the two pieces together using the #8X1-1/4 Phillips Pan Head screws provided (#3) **Note:** This may be a 1" screw depending on the model. Place the 180° Post which consists of a ZTE-7203 Wall Jamb and a ZTE-7218 180° Jamb Post attached together, over the edge of the glass **(J)**. Square the 180° post and then insert the ZV909 Wedge Vinyl (#16) into the vertical jambs on both sides. A block of wood will help push the vinyl in. Wet the vinyl slightly with water to ease install. The flat side goes against the glass. Make sure the panel is plumb **(K)**.



6) Measure the distance wall to wall above the jambs for the ZTE-7200 Header (#8) dimension. Cut to size. Place the header over and down on to the jambs **(L)**.

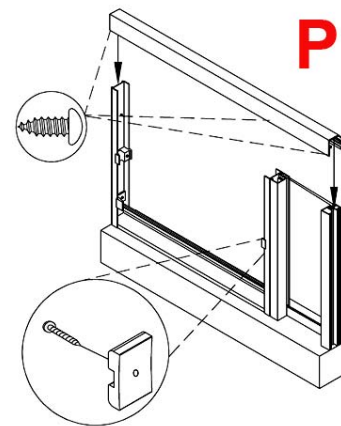
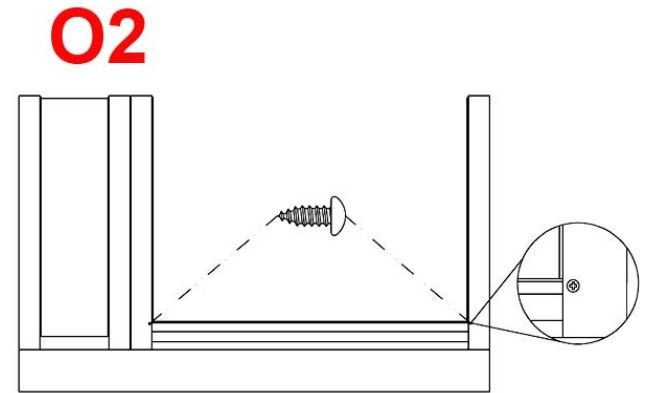
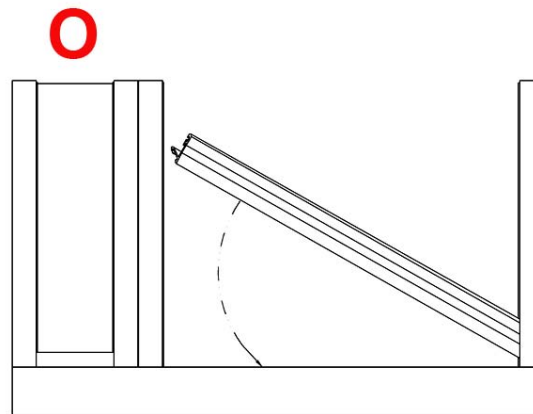
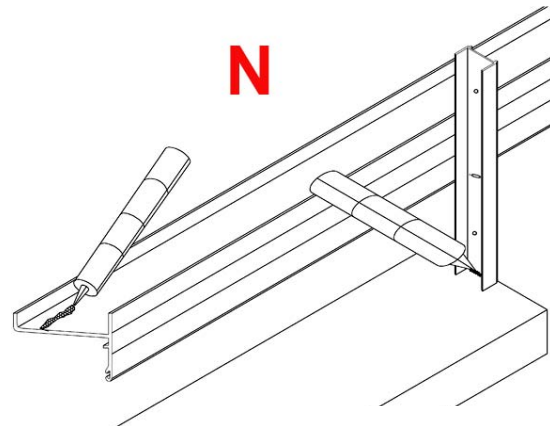
7) Measure for the ZTE-7222 (#3) by measuring the distance between the two ZTE-7203 Jambs then cut the ZTE-7222 (#3) to that dimension **(M)**. Run some silicone on the inside of the ZTE-7203's where they meet the curb/tub ledge. Then run a bead along the underneath of



the ZTE-7222 Curb (N). Slide the curb down between the wall jambs and onto the tub/shower. Make sure the curb is solid and doesn't rock back and forth. If it is not solid secure it with two of the #6X3/8" Pan Head Screws (#13) provided by drilling with a 1/8" drill bit through the outside leg of the wall jamb at the bottom, into the face of the curb and inserting the screws (O).

8) Plumb the 180° Jamb/Post and attach the header to the Jambs and Post from the inside using #6 x 3/8" Phil Pan Head Screws (#13) (P).

9) Setting of the glass. The inside panel will be set first. This will be done as you stand on the **outside** of the shower. Grip one of the panels on each side so that the rollers are facing **away** from you. Lift the panel so that the bottom edge of the glass clears the top of the ZTE7222 Curb as you lower it into the shower. **Do not set the glass down on its edge. Be very careful to not hit the edge on anything.** Continue lowering the panel down until the top rollers can be guided up into the inside roller track of the header. Lift up glass then slowly lower the rollers into the inside roller track and let the panel hang in its vertical position. The outside panel will be installed the same way. Make sure the rollers are facing **toward** you. A helper would be valuable at this point to hold the inside panel on an angle toward the inside so the outside panel can be lowered and



positioned to be installed into the outside roller track. The inside panel will be positioned at the showerhead side of the shower while the outside panel will be positioned opposite the showerhead. This is to ensure that no water escapes through the overlap (Q).

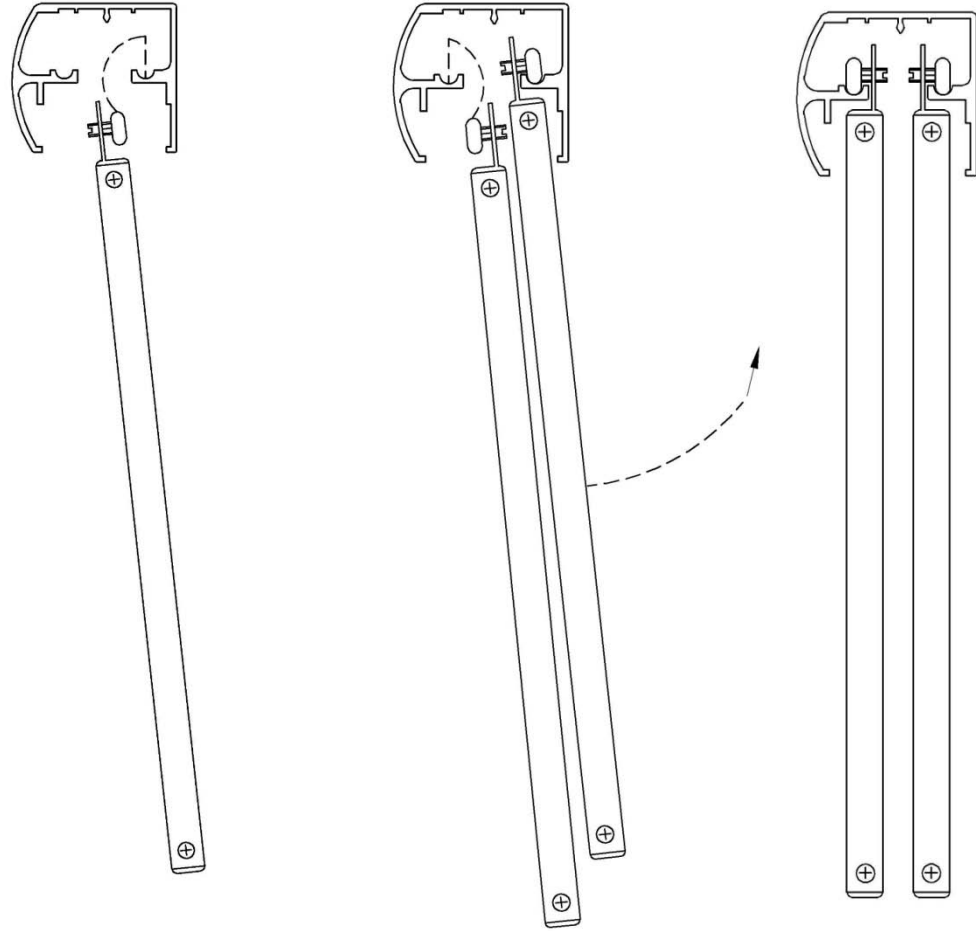
10) Adjust Rollers. The roller wheels are mounted to angled slots in the top rail on the glass. Lowering the roller in the slot raises the glass. Raising the roller in the slot lowers the glass. Start out with the rollers mounted in the middle of the angled slot. If the panel needs to be adjusted you can remove the panel, adjust with a screwdriver then, reset the panel. This might be done one or two times until you achieve proper alignment. The end result should be that the vertical edge of the panel is parallel to your wall jamb to achieve maximum coverage (R).

11) Attach the ZV972 Center Guide (#17). Position the guide in the center of the overlap of the panels. When the doors are in a closed position the center guide should be centered in the overlap of the panels. Attach the guide in place by drilling with a 1/8" drill bit through the inside leg into the curb (from the inside of the shower) then running a #6X3/8 screw into the hole (S).

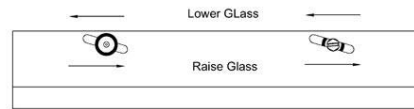
12) Attach the ZTE-7204 Framed Knob (#7) by inserting the mounting screw (#19) through the frame and into the knob and tighten with allen wrench provided (T).

13) Attach one ZTE-7206 (#14) Towel Bar Bracket using one of the two #6/32x3/8" PH

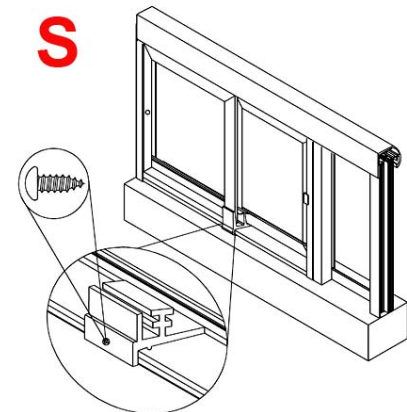
Q



R



S



Truss Head Screw (#19). Place the ZTE-7205 Towel Bar (#15) into the other ZTE-7206 Towel Bar Bracket then slip the other end of the towel bar into the previously mounted bracket. Hold into place while you run the other screw through the frame and into the bracket **(T)**.

14) Run a bead of silicone on the gap between the metal and the shower surface inside and out. Fill all joints and gaps where metal meets metal and fill with a fine bead. Run a bead also in the gap where the ZD-1014 and the glass meet **(U)**.

15) Insert ZVHPBLK Rail Plug into open hole on frame rail **(V)**.

