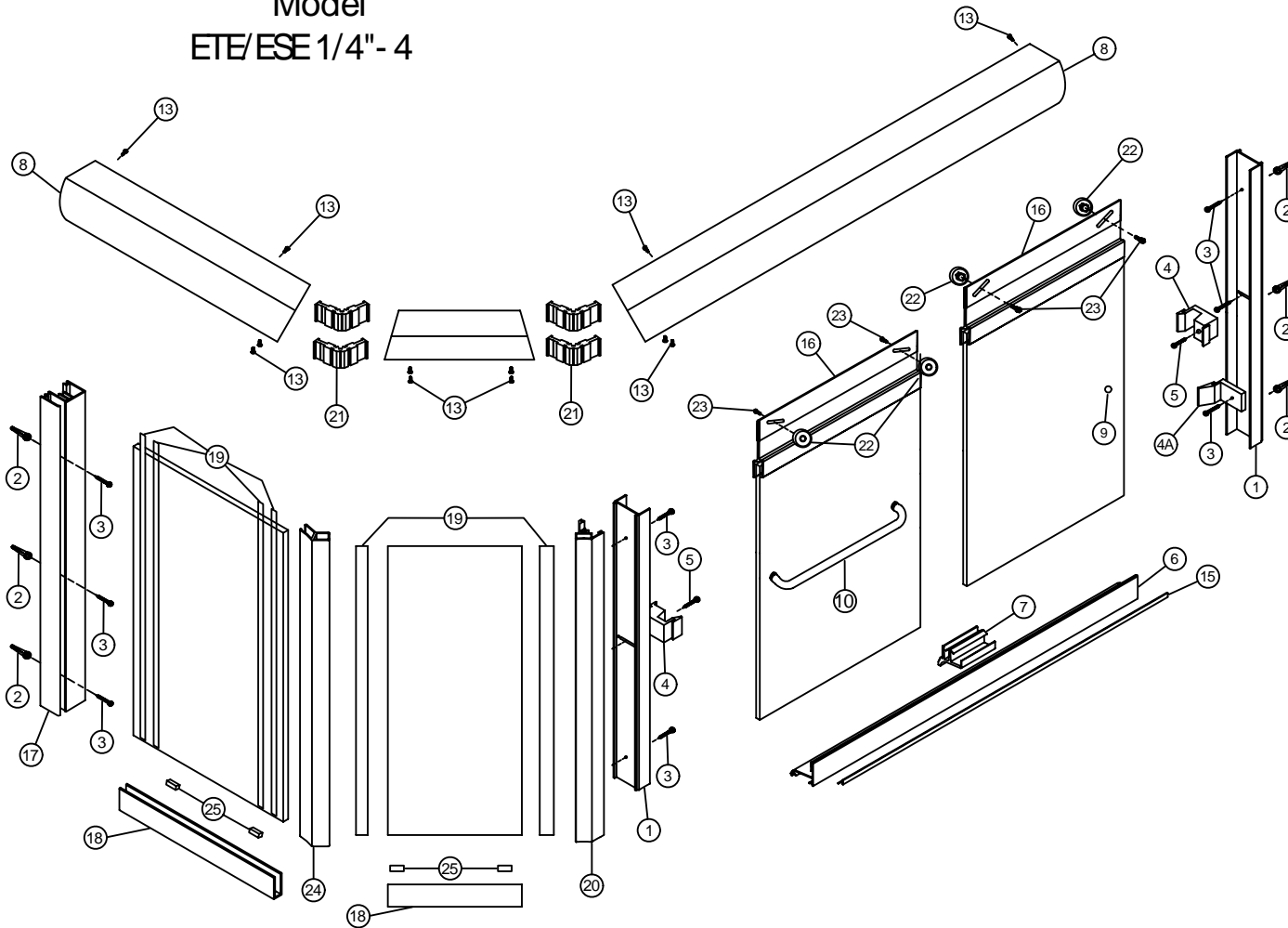


# INSTALLATION INSTRUCTIONS

Model  
ETE/ESE 1/4" - 4



When ordering replacement parts, please provide the following information:

1. Part Number
2. Part Name
3. Model Number
4. Specify design (if any)

To install your Shower Enclosure you will need the following:

- Level
- 1/8" and 9/64" Drill Bits
- (Tile) 3/16" Masonary Bit
- Phillips Screwdriver
- Sealant
- Hack Saw

#	Description	Qty	Part #	Picture
1	Wall Jamb	2	ZTE-1203	
2	Screw Anchor	6	ZV-935	
3	#8x1 1/4 Pan Head Screw	8		
4	Bumper	2	ZV-924	
4A	Bottom Bumper	1	ZV-926	
5	#6/32 x 1/2 Machine Screw	2		
6	Curb	1	ZTE-1222	
7	Center Guide	1	ZV920-3	
8	Header	3	ZTE-1601	
<b>Glass with 1/2" Holes</b>				
9	Pull Knob	1	ASD1	
10	Towel Bar	1	ASD24S	
<b>Glass with 7/8" Holes</b>				
9	Pull Knob	1	ASD1R	
10	Towel Bar	1	ASD24R	
13	#6x3/8 PH SMS	12		
15	Curb Vinyl	1	ZV-918	
16	Full Top Rail	2	ZTE-3208	
17	180 Jamb Post	1	ZTE-1216	
18	Buttress Curb	1	ZD-1014	
19	Vertical Wedge Vinyl	8	ZV-909	
20	135 Jamb Post	1	ZTE-1215	
21	Bypass 135 deg Header Clip	4	ZA135	
22	Roller Wheel	4	ZA-99	
23	#8/32x3/8 CH	4		
24	135 deg Post	1	ZSS-1105	
25	Setting Block	4	ZV-902	

Arizona Corporate Office  
2801 W. Indian School Rd  
Phoenix, AZ 85017  
800-255-1901 PH  
602-447-8208 FAX

Florida  
8100-1 Westside Industrial Dr  
Jacksonville, FL 32219  
855-695-8899 PH  
904-786-9025 FAX

Illinois  
2601 Bond St #1  
University Park, IL 60484  
800-861-6120 PH  
708-235-0729 FAX

Oregon  
2057 Lars Way  
Medford, OR 97501  
866-773-7905 PH  
541-773-7909 FAX

Colorado  
3871 Revere Street  
Denver, CO 80239  
866-574-1766 PH  
303-574-1775 FAX

Utah  
2594 S. 3600 West Suite A  
West Valley City, UT 84119  
877-402-5007 PH  
801-972-3111 FAX

# ARIZONA SHOWER DOOR

## Tools you will need for this install

- ✓ Exploded View drawing of shower door
- ✓ 3/16" Masonry drill bit (use 9/64" drill bit for fiberglass)
- ✓ 1/8" drill bit
- ✓ Drill
- ✓ 4' Level
- ✓ Saw (Electric Chop saw or Hacksaw)
- ✓ Side cutting pliers
- ✓ #2 Phillips drill bit
- ✓ #2 Phillips screwdriver
- ✓ Tape Measure
- ✓ Pencil or Pen
- ✓ Caulking Gun
- ✓ 1-Tube of 100% Clear Silicone (no latex!)
- ✓ Vacuum Cleaner or Brush for clean up
- ✓ Glass Cleaner and Paper Towels
- ✓ Rubber Mallet
- ✓ File

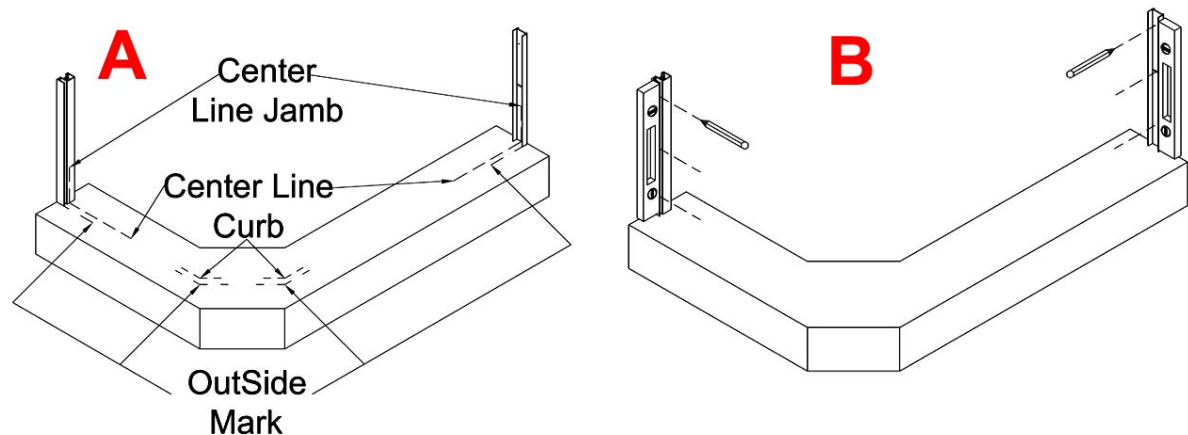
INSTALLATION INSTRUCTIONS  
FOR

# MODEL ETE-4/ESE-4

**Note:** These instructions will refer to the item #'s in the Exploded View drawing. For example, #1, #2, #3 etc...  
Please read through **all** of the instructions to get an over-view **before** you install the door.

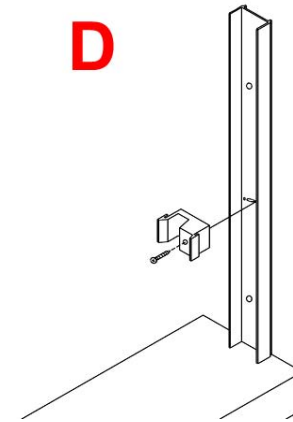
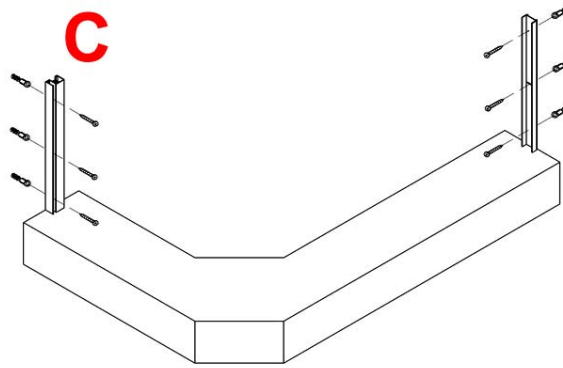
**1)** Typical placement for the shower door is in the center of the curb or tub ledge. Make marks on the curb/tub ledge to represent where the **outside** of the shower door will sit. These marks will be 3/4" to the outside of centerline and these marks should correspond with the dimensions the shower door was ordered to

**(A).** Place the ZTE1216 Wall Jamb (item #17 in exploded view) against the wall and on top of the tub ledge or curb on the fixed panel side aligning the outside edge of the jamb to the outside marks that were previously made. **(Note:** Holes may need to be drilled in ZTE-1216 glass pocket) Use a level to position the jamb plumb, then mark the installation holes with a pen or pencil. Follow the same procedure for setting the ZTE 1203 Wall Jamb (#1) on the showerhead wall **(B).**

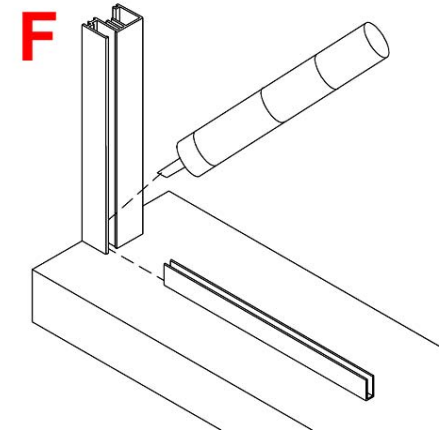
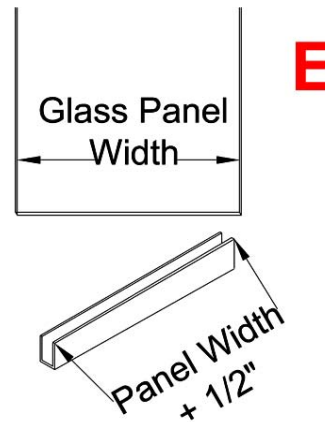


**2) Note:** The glass pocket in the ZTE1216 is **offset to the outside**. Now drill the 6 holes with a 3/16" masonry bit (9/64" regular bit for fiberglass, & without anchors). Insert the 6)-ZV935 screw anchors (#2) in the holes. Fasten

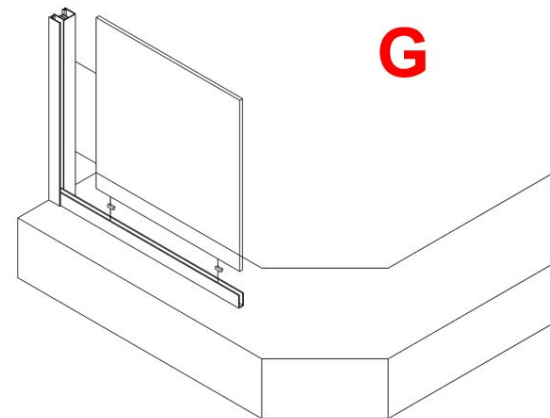
the wall jambs in place using the #8X1-1/4 Phillips Pan Head screws provided (#3) **(C)**. **Important Note:** The ZV926 Bottom Bumper (#4A) needs to be installed with the bottom screw on the ZTE-1203 Jamb, on the showerhead side of the unit, with the angled side of the bumper going to the inside of the shower. Refer to the exploded view. Attach one ZV924 Bumper (#4) on the ZTE1203 using the #6/32X1/2 Machine screw (#13) keeping in mind that the inside panel will be on the showerhead side of the shower **(D)**.



**3)** Cut the ZD1014 Buttress Curb (#18) 1/2" wider than the return glass panel dimension. This is the bottom channel for the fixed panels **(E)**. Put a dab of silicone in the inside corner of the ZTE1216 Wall Jamb then insert the ZD1014 and push over into the ZTE1216 aligning it to the outside marks that were made in step 1 **(F)**. **Note:** The ZD1014s will be secured after the final step of running silicone at the end of the install. When the silicone cures then the ZD1014 will be solid.



**4)** Cut two setting blocks at 1/4" tall and insert them down into the ZD1014 for the glass to sit on. Then place the fixed panel into the wall jamb and down into the bottom channel until the bottom channel extends past the glass approximately 1/4" **(G)**. Place the ZSS1105 135° degree Post, (#24) over the edge of the glass. Adjust the 135° post to be plumb from both directions. Insert the ZV909 Wedge Vinyl (#19) into the jambs on both sides of the glass. A block of wood will help push the vinyl in.

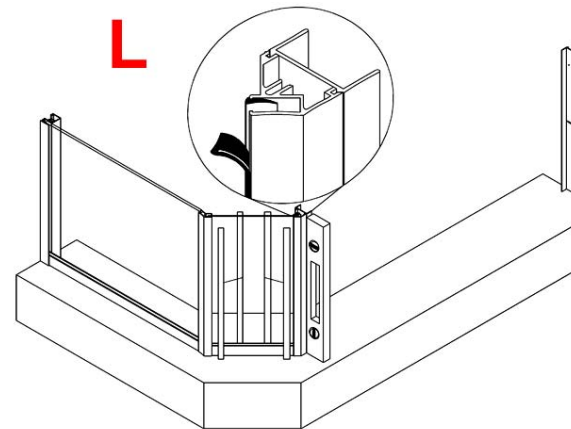
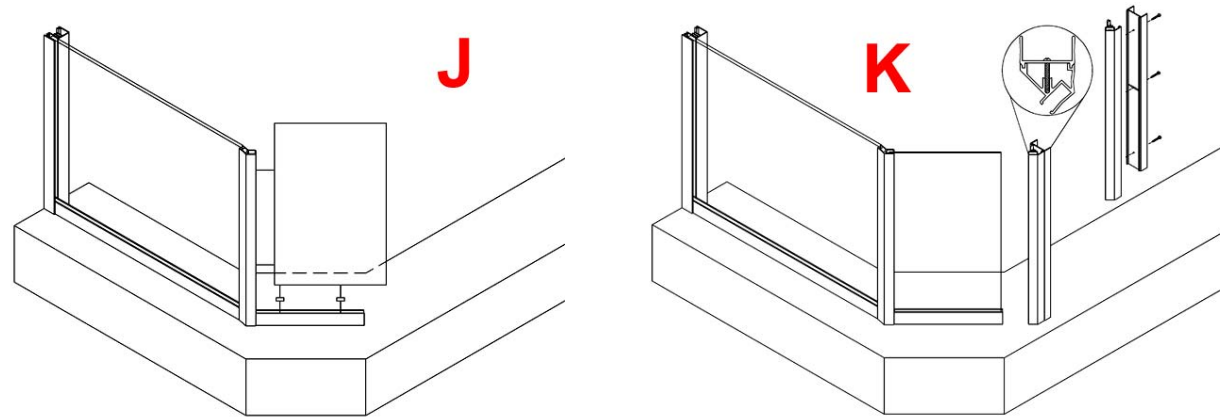
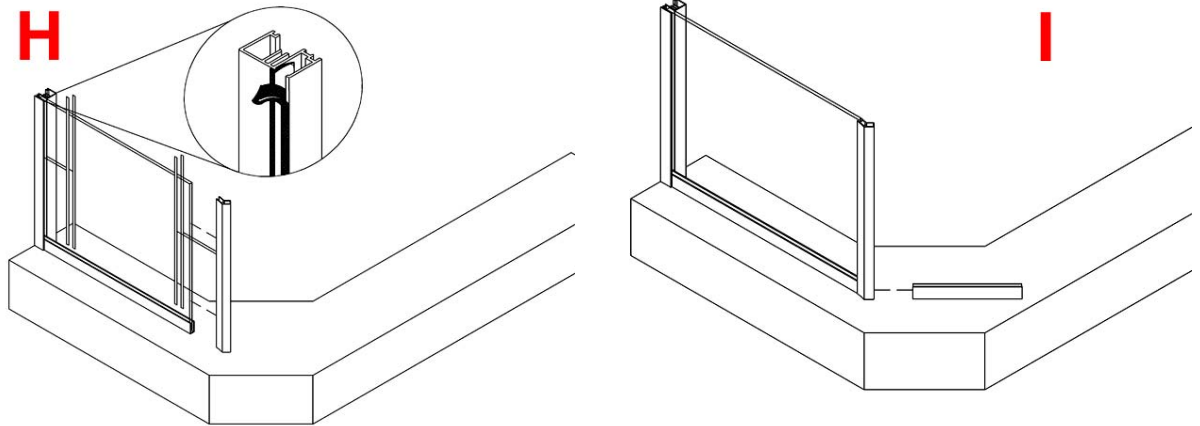


Slightly wet the vinyl with water to ease install.  
The flat side goes against the glass **(H)**.

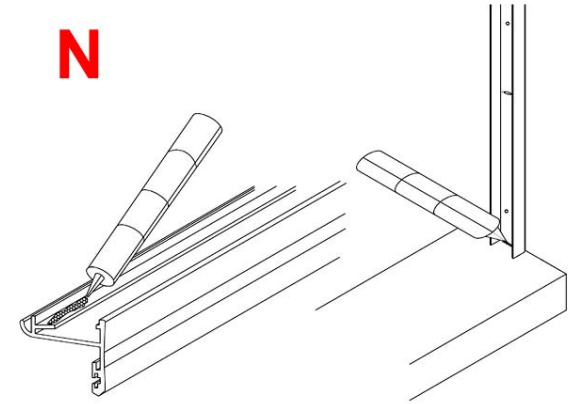
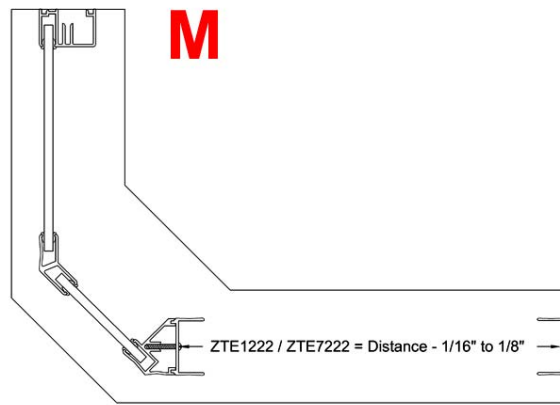
**5)** Set the angled panel. Cut the ZD1014 Buttress Curb (#18) 1/2" wider than the angled glass panel dimension (refer to **(E)**). Put a dab of silicone in the inside corner of the ZSS1105 135° degree post (#24) then insert the ZD1014 and push over into the ZSS1105 aligning it to the outside marks that were made in step 1 **(I)**.

**6)** Cut two ZV902 setting blocks at 1/4" tall and insert them down into the ZD1014 for the glass to sit on. Then place the angled panel into the 135° degree jamb and down into the bottom channel. Place the glass where the channel extends past the glass approximately 1/4" **(J)**. Attach the ZTE-1203 and the ZTE-1215 by screwing the two pieces together using the #8X1-1/4 Phillips Pan Head screws provided (#3) **(Note:** This may be a 1" screw depending on the model). Place the 135° Post which consists of a ZTE1203 Wall Jamb (#1) and a ZTE1215 135° degree Jamb Post (#20) attached together, over the edge of the glass **(K)**. Adjust the 135° post to be plumb from both directions. Insert the ZV909 Wedge Vinyl (#19) into the jambs on both sides of the glass. A block of wood will help push the vinyl in. Slightly wet the vinyl with water to ease install. The flat side goes against the glass **(L)**.

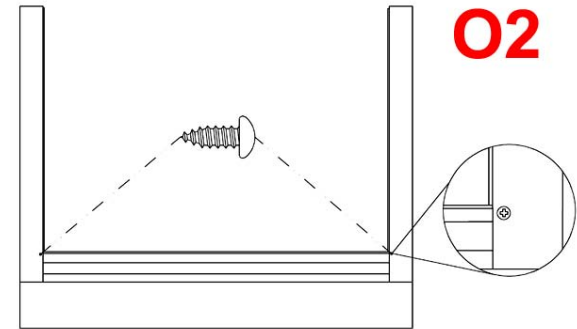
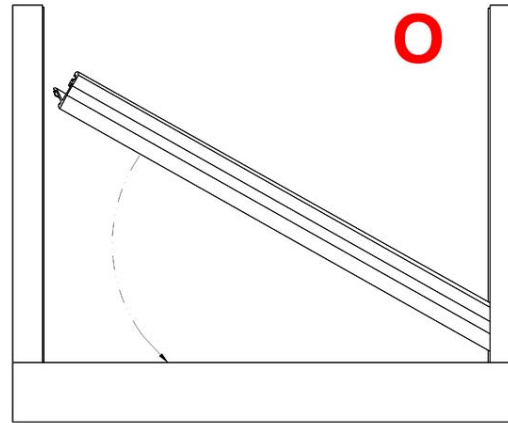
**7)** Measure for the ZTE1222 (#6) by measuring the distance between the inside of the two ZTE1203 Jambs then cut the ZTE1222 (#6) to



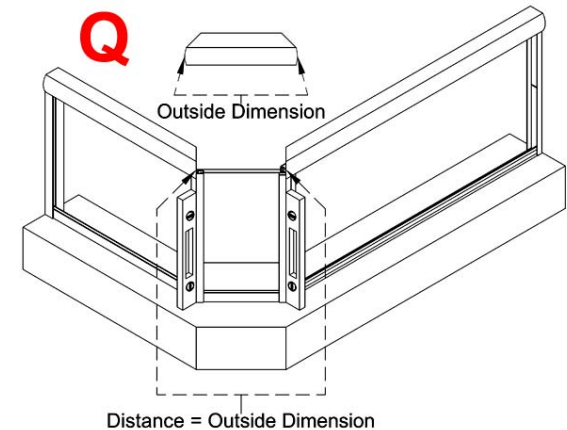
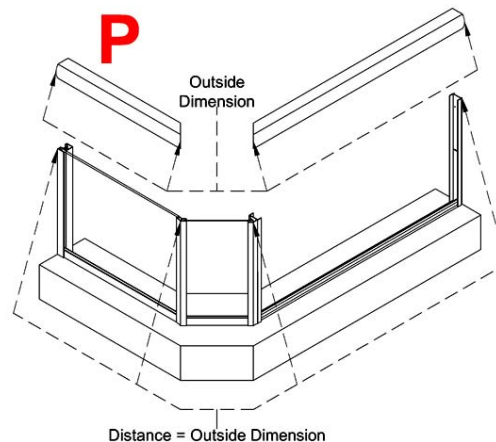
that dimension – 1/16" to 1/8" (M). Run some silicone on the inside of the ZTE1203's where they meet the curb/tub ledge. Then run a bead along the underneath of the ZTE1222 Curb (N). Slide the curb down between the wall jambs and onto the tub/shower. Make sure the curb is solid and doesn't rock back and forth. Secure it with two of the #6X3/8" Pan Head Screws (#13) provided by drilling with a 1/8" drill bit through the outside legs of the ZTE1203 wall jambs at the bottom, into the face of the curb and inserting the screws (O).



8) Measure for the ZTE1601 three piece header (#8). Measure from the top of each wall jamb over to the outside corner of the plumb corner posts. These will be the dimensions that you will cut each header to. Use a tape measure to mark the headers from the outside edge of the mitered corner. Cut the square end of the headers (P). To get the angled header dimension place the headers you just cut on top of the vertical posts. Make sure the posts are plumb, then measure the distance between the two outside mitered corners of the headers. Cut the header to this dimension (Q).



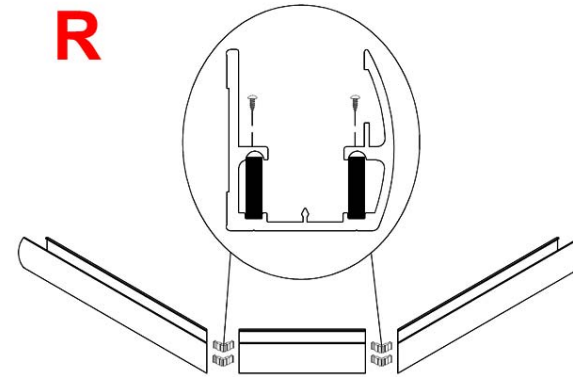
9) Assemble the ZTE1601 three piece header. Lay the headers on drop cloth or carpet to prevent from scratching them. Assemble the three pieces of header on the floor using the ZA135 135° degree corner clips (#21) and the #6X3/8" Phillips Pan Head screws (#13). Insert the ZA135 clips into the slots in the mitered end of the headers then put the corners together. As the headers are lying upside down, on their topside, on the floor, drill with a 1/8" drill bit through the pre-drilled holes in the roller track



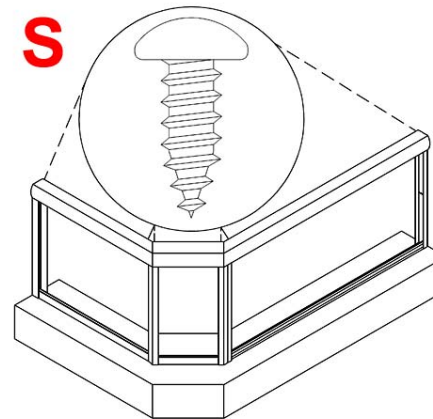
Distance = Outside Dimension

Distance = Outside Dimension

where you have inserted the ZA135 clips. Make sure you drill deep enough so as to not break the head of the screw off. Slowly screw the #6X3/8" screw in. If the screw does not want to go all the way in then remove the screw and if necessary ream the hole out slightly with the drill bit **(R)**. Once all 8 screws are in set the assembled header over and onto the three jambs. Secure the header in three locations by drilling with a 1/8" bit through the **inside** face of the header and into the three vertical posts. Fasten with the #6X3/8" screws **(S)**. Attach the ZV924 Bumpers (#4) on the ZTE1203's using the #6/32X1/2 Machine screws (#5) keeping in mind that the inside panel will be on the showerhead side of the shower(refer to **(D)**).



**10)** Setting of the glass. The inside panel will be set first. This will be done as you stand on the **outside** of the shower. Grip one of the panels on each side so that the rollers are facing **away** from you. Lift the panel so that the bottom edge of the glass clears the top of the ZTE1222 Curb as you lower it into the shower. **Do not set the glass down on its edge. Be very careful to not hit the edge on anything.** Continue lowering the panel down until the top rollers can be guided up into the inside roller track of the header. Lift up the glass, then slowly lower the rollers into the inside track and let the panel hang in its vertical position. The outside panel will be installed the same way. Make sure the rollers are facing **toward** you. A helper would be valuable at this point to hold the inside panel on an angle toward the inside so the outside panel can be lowered and positioned to be installed into the outside roller track. After both



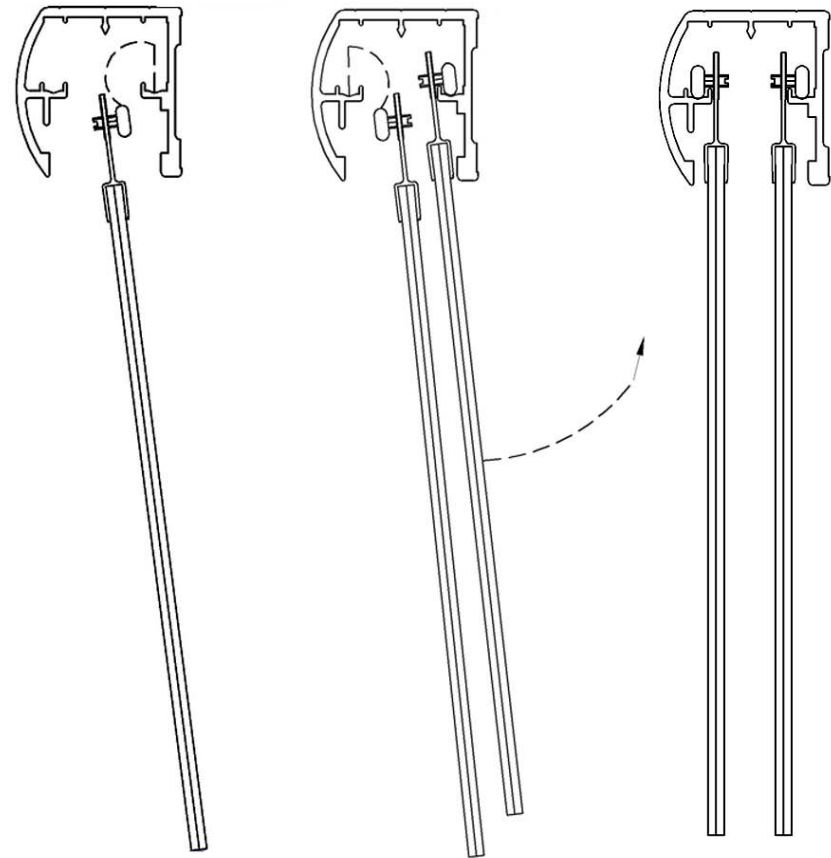


panels are installed the inside panel will be positioned at the showerhead side of the shower while the outside panel will be positioned opposite the showerhead. This is to ensure that no water escapes through the overlap **(T)**.

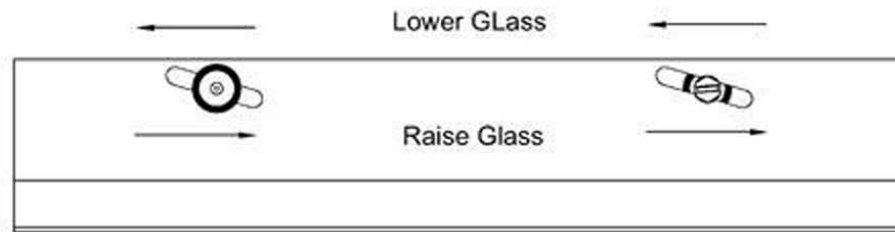
**11)** Adjust Rollers. The roller wheels are mounted to angled slots in the top rail on the glass. Lowering the roller in the slot raises the glass. Raising the roller in the slot lowers the glass. Start out with the rollers mounted in the middle of the angled slot. If the panel needs to be adjusted you can remove the panel, adjust with a screwdriver then, reset the panel. This might be done one or two times until you achieve proper alignment. The end result should be that the vertical edge of the panel is parallel to your wall jamb to achieve maximum coverage **(U)**.

**12)** Attach the ZV920 Center Guide (#7). Slide both panels to one end. The front lip of the guide slips into a slot on the inside of the front edge of the ZTE1222 Curb. Position the guide just to the side of the panels, slip the front lip in, then snap the guide down over the inside of the curb. Slide the guide over carefully. When the doors are in a closed position the center guide should be centered in the overlap of the glass. For added security you can attach the guide after it is snapped in place by drilling with a 1/8" drill bit through the snap in leg and into the curb (from the inside of the shower) then running a #6X3/8 screw into the hole **(V)**.

**T**



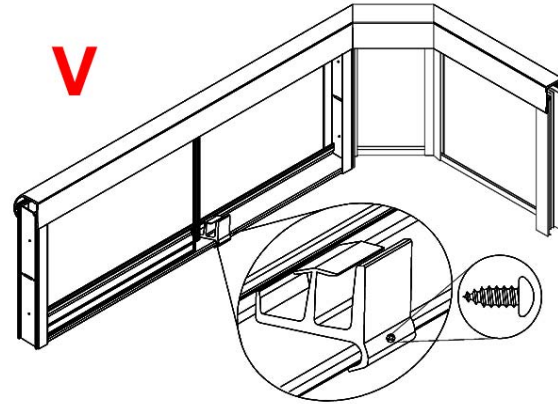
**U**





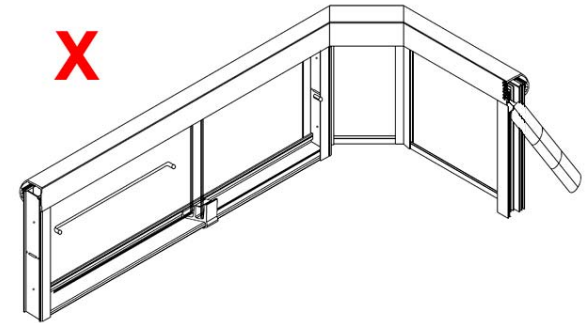
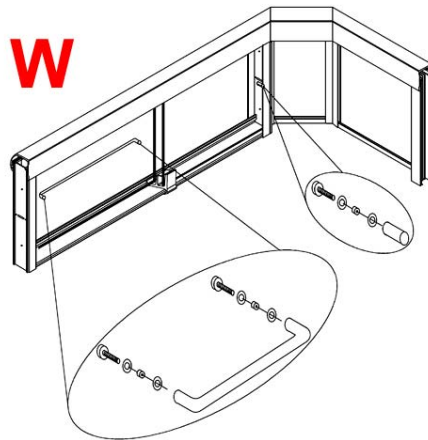
**13) \*please see attached before proceeding**

Attach the ASD-1 (#10) Knob Pull by inserting the threaded bolt with grommet through the hole. This will be the inside panel with one hole which will be on the showerhead side of the opening. The knob should be on the inside. Also make sure the plastic washers provided are on each side of the glass. Use the small Allen wrench provided to insert into the small hole on the bolt head. Turn and tighten the bolt until the knob is secure. Over tightening can cause the glass to blow up **(W)**.



**14)** Attach the towel bar on the outside panel with two holes using the same method as the knob in step 7 **(W)**.

**15)** Run a bead of silicone on the gap between the metal and the shower surface inside and out around the entire unit. Fill all joints and gaps where metal meets metal and fill with a fine bead. Run a cap bead also in the gap where the ZD1014 and the glass meet **(X)**.



\* Towel bar and Pull Handle Addendum

Due to design changes in the **LETET, LESET, ETE, and ESE** Series of bypass shower enclosures. There are now two separate types of pull handle and towel bars. The (ASD1) pull handle and the (ASD#T) towel bar are designed for glass with 1/2" holes. While the (ASD1R) pull handle and (ASD#R) towel bar are designed for glass with 7/8" holes. While ordering replacement parts please specify hole dimension.(1/2" or 7/8").

\*\*\* # = centerline width of the towel bar (ex: 18", 24", and 27") \*\*\*