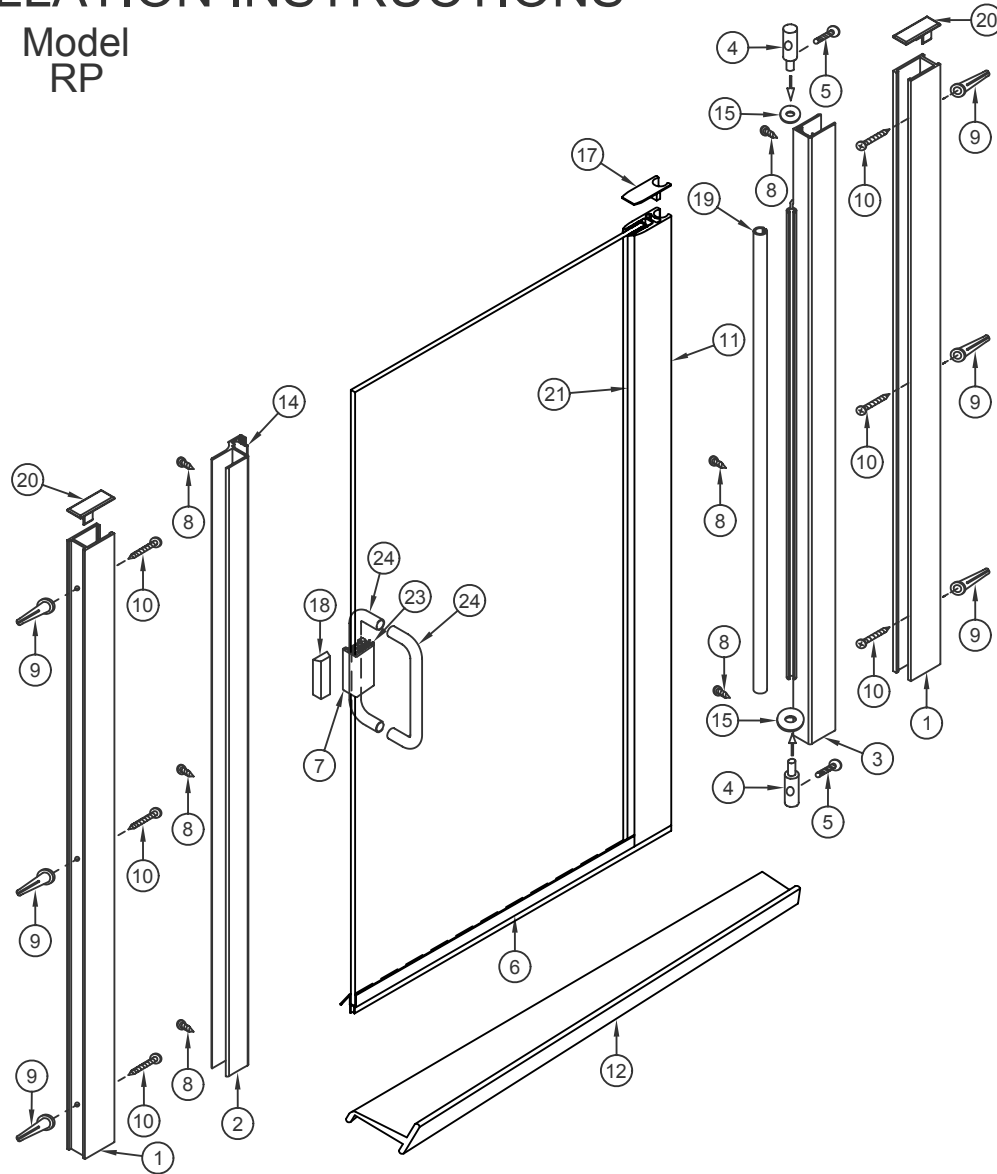


# INSTALLATION INSTRUCTIONS

Model  
RP



#	Description	Qty	Part #	Picture
1	Wall Channel Jambs	2	ZD-1006	
2	Mag Latch Jamb	1	ZD-8004	
3	Hinge Jamb	1	ZD-2505A	
4	Hinge Pins	2	ZV-910	
5	#6/32X3/8" FH MS	2		
6	Bottom Rail-3/16" Poly Bottom Rail-1/4" Poly	1	ZVP-316WS ZVP-14WS	
7	Mag-U-Channel	1	MAG-4012A	
8	#6X3/8" PH SMS	6		
9	Wall Anchors	6	ZV-935	
10	#8X1 1/2" PH SMS	6		
11	Hinge Rail	1	ZD-2503A	
12	Dam Strip	1	ZD-1026	
13				
14	Strike Gasket	2	ZV-907	
15	Washer	2	FW6516	
16	#6X1/4" PHB Point	3		
17	Top Cap	1	ZV-948	
18	Magnet	1	MAG4013	
19	Hinge Rail Sleeve	1	ZV-995	
20	Door Clip	3	ZV-940	
21	Hinge Rail- 3/16" Vinyl Hinge Rail-1/4" Vinyl	ZV-925 3/16 ZV-925 1/4		
22	Bottom Rail-3/16" Vinyl Bottom Rail-1/4" Vinyl	ZV-903 ZV-901		
23	Handle Gasket 3/16" Handle Gasket 1/4"	1 1	ZV-917 ZV-916	
24	Back to Back Pull	1	ASD 8X8 T	

When ordering replacement parts, please provide the following information:

1. Part Number
2. Part Name
3. Model Number
4. Specify design (if any)

To install your Shower Enclosure you will need the following:

- Level
- 1/8" and 9/64" Drill Bits
- (Tile) 3/16" Masonary Bit
- Phillips Screwdriver
- Sealant
- Hack Saw

Arizona Corporate Office  
2801 W. Indian School Rd  
Phoenix, AZ 85017  
800-255-1901 PH  
602-447-8208 FAX

Florida  
8100-1 Westside Industrial Dr  
Jacksonville, FL 32219  
855-695-8899 PH  
904-786-9025 FAX

Illinois  
2601 Bond St #1  
University Park, IL 60484  
800-861-6120 PH  
708-235-0729 FAX

Oregon  
2057 Lars Way  
Medford, OR 97501  
866-773-7905 PH  
541-773-7909 FAX

Colorado  
3871 Revere Street  
Denver, CO 80239  
866-574-1766 PH  
303-574-1775 FAX

Utah  
2594 S. 3600 West Suite A  
West Valley City, UT 84119  
877-402-5007 PH  
801-972-3111 FAX

# ARIZONA SHOWER DOOR

## Tools you will need for this install

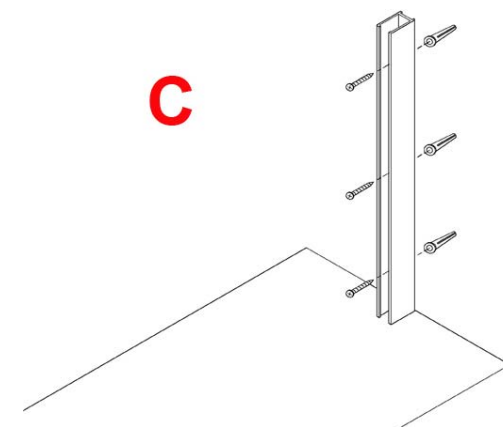
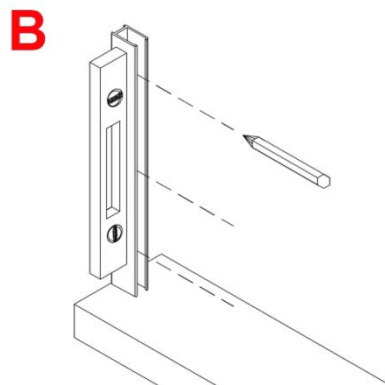
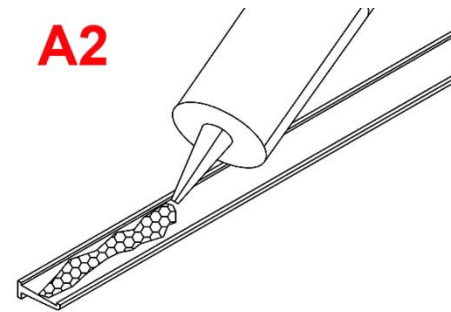
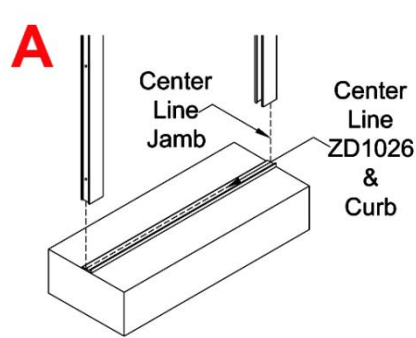
- ✓ Exploded View drawing of shower door
- ✓ 3/16" Masonry drill bit (use 9/64" drill bit for fiberglass)
- ✓ 1/8" drill bit
- ✓ Drill
- ✓ 4' Level
- ✓ Saw (Electric Chop saw or Hacksaw)
- ✓ Side cutting pliers
- ✓ #2 Phillips drill bit
- ✓ #2 Phillips screwdriver
- ✓ Tape Measure
- ✓ Pencil or Pen
- ✓ Caulking Gun
- ✓ 1-Tube of 100% Clear Silicone (no latex!)
- ✓ Vacuum Cleaner or Brush for clean up
- ✓ Glass Cleaner and Paper Towels
- ✓ Rubber Mallet
- ✓ File

## Installation Instructions for Model RP Door

**Note:** These instructions will refer to the item #'s in the Exploded View drawing. For example, #1, #2, #3 etc...  
Please read through **all** of the instructions to get an over-view **before** you install the shower door.

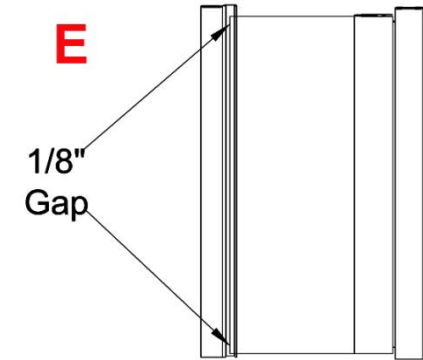
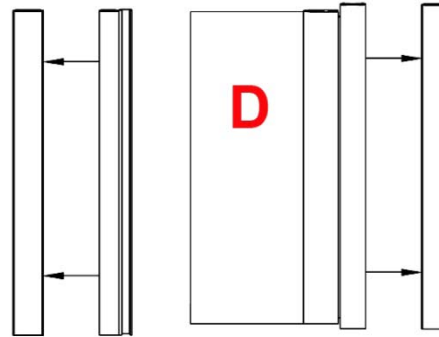
**1)** Find the centerline of where the unit will be installed. This will usually be the center of the curb of the shower pan. Place a centerline mark at each end of the curb where it meets the wall. This mark will also represent the center of the ZD1026 Dam Strip (#6) and ZD1006 Wall Jamb (#1). Measure wall to wall on top of the curb where the door is going to sit. Cut the ZD1026 to this dimension. Run a bead of silicone underneath it then set in place according to the marks you made. Use tape to hold in place, preferably blue tape. Place the wall jamb against the wall and on top of the ZD1026 aligning centerline marks **(A)**. Use a level to position the jamb plumb, then mark the installation holes with a pen or pencil **(B)**. Repeat this procedure for the other jamb. Now drill the 6 holes with a 3/16" masonry bit (9/64" for fiberglass, & without anchors). Then insert the 6)-ZV935 screw anchors (#9) in the holes. Fasten the ZD1006 wall jambs in place using the #8X1-1/4 Phillips Pan Head screws provided (#10) **(C)**.

**2)** Slide the ZD8004 Magnetic Latch Jamb (#2) over the latch side wall jamb. Install the door by sliding the ZD2505A Door Hinge Jamb (#3) over

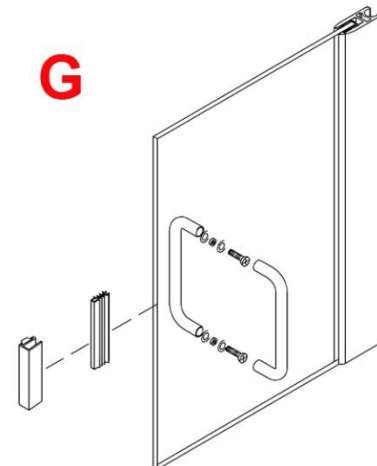
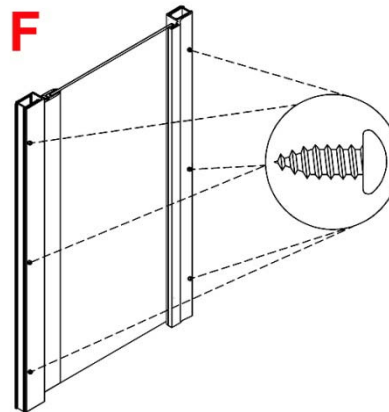


the hinge side wall jamb. Do not fasten the door at this point **(D)**.

**3) Note:** (It will be helpful to have an assistant at this point to adjust and hold the door in place from the outside while you drill and fasten the latch jamb and the hinge jamb from the inside). Square up the door and align the edge of the door glass parallel with the latch jamb leaving an 1/8" gap between the two **(E)**. Attach the door by drilling the six holes on the inside of the unit where the jambs are pre-drilled using an 1/8" drill bit and secure with the 6-#6X3/8" Pan Head screws (#8) **(F)**



**4)** Attach the ASD 8X8 Handle (#24). Take the two stud head mounting screws and sleeve one clear washer on each screw. Next, insert the clear grommets into the holes in the door. From the outside of the door, push the thread of the screws through the grommets in the holes in the glass. On the inside of the door, sleeve a clear washer onto the screws. Take the pull that has the threaded hole in the end and begin to thread the top screw into it and then the bottom screw. Tighten the stud head screws down with a screwdriver (not a drill). This pull will be on the inside of the door. Place the remaining pull, with the large holes and set screw, onto the stud heads of the screws. Tighten the set screws with Allen wrench provided. Then attach the MAG4012 (#7) (use ZV 916 for 1/4" glass or ZV917 for 3/16" glass) (#21) by placing over the edge of the glass then tapping the it over the gasket and on to the glass with a rubber mallet aligning it to the magnet on the latch jamb. **(G)**.



**5)** Place a small amount silicone on the legs of the 2-ZV940 Door Clips (#20) and place down into the top of the 1006's to cap the opening. You may have to trim them to fit with side cutters **(H)**.

**6)** Cut the Bottom Poly Rail (ZVP-316WS for 3/16" glass, ZVP-14WS for 1/4" glass) then push over the bottom edge of the glass **(I)**. Run a cap bead of silicone on the inside where the glass and poly meet to prevent water seeping down into the sweep between the glass and poly.

**7)** Run a bead of silicone on the inside and outside where the wall jamb meets the shower wall. Inspect the install and caulk any gap that might let water through **(J)**.

