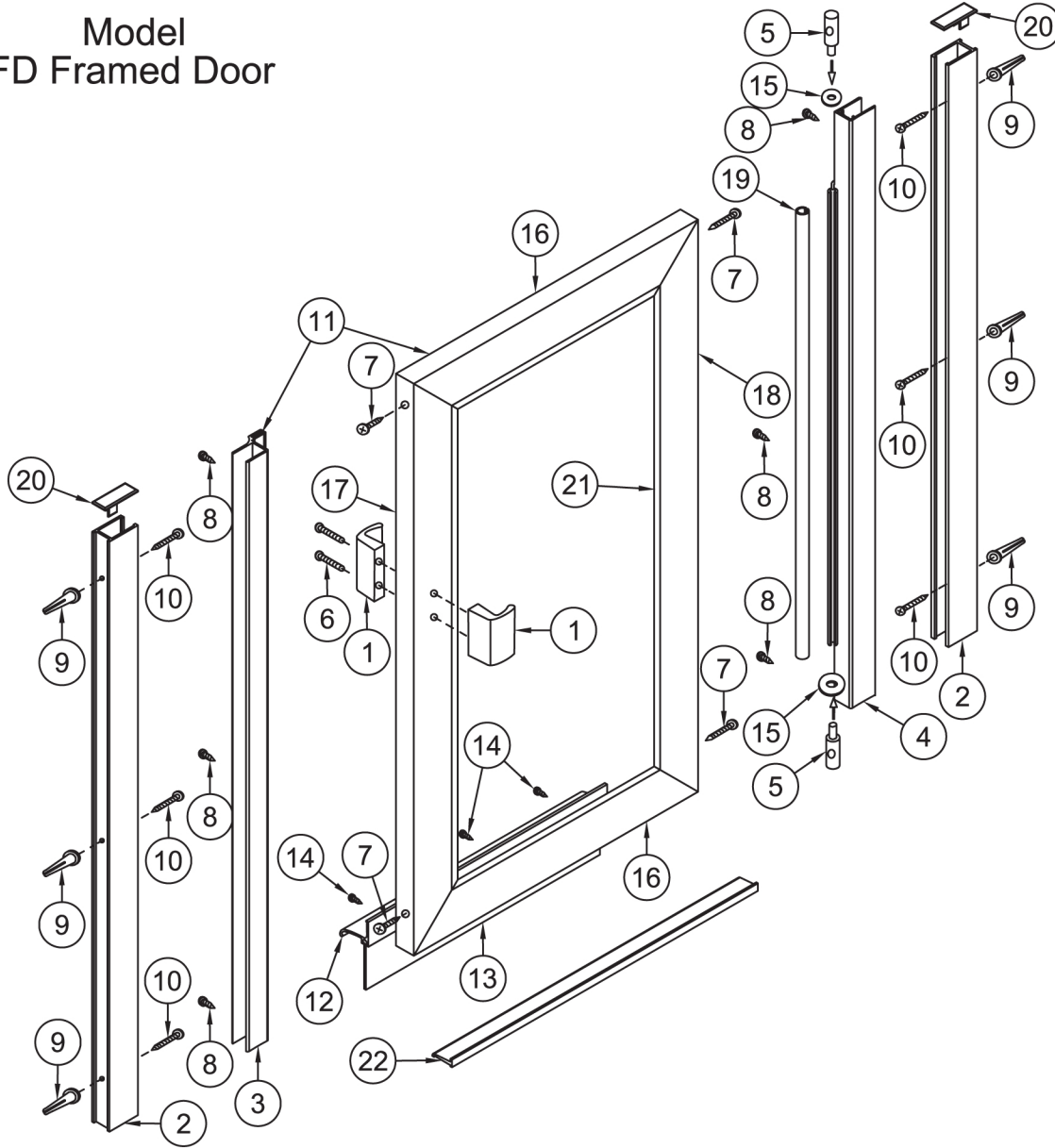


INSTALLATION INSTRUCTIONS

Model
FD Framed Door



When ordering replacement parts, please provide the following information:

1. Part Number
2. Part Name
3. Model Number
4. Specify design (if any)

To install your Shower Enclosure you will need the following:

- Level
- 1/8" and 9/64" Drill Bits
- (Tile) 3/16" Masonry Bit
- Phillips Screwdriver
- Sealant
- Hack Saw

#	Description	Qty	Part #	Picture
1	Door Handle - Inside	1	ZD-85054	
	- Outside	1	ZD-85064	
2	Wall Channel Jambs	2	ZD-1006	
3	Mag Latch Jamb	1	ZD-8004	
4	Hinge Jamb	1	ZD-2505A	
5	Hinge Pins	2	ZV-910	
6	#6-32X1 3/4" FHMS	2		
7	#6X1 1/2" PH SMS	4		
8	#8X3/8" PH SMS	6		
9	Wall Anchors	6	ZV-935	
10	#8 X 1 1/4" PH SMS	6		
11	Magnet Strip	2	ZV-987	
12	Drip Rail	1	ZD-8008	
13	Drip Vinyl	1	ZV-913	
14	#6X1/4" PH SMS	3		
15	Washer	2	FW6516	
16	Top & Bottom Rail	2	ZTE-7202	
17	Magnet Rail	1	ZD-8507	
18	Hinge Rail	1	ZD-8503	
19	Hinge Rail Sleeve	1	ZV-995	
20	Door Clip	2	ZV-940	
21	Glazing Vinyl 3/16"		ZV-903-3/16	
	Gazing Vinyl 1/4"		ZV-901-1/4	
22	Dam Strip	1	ZD-1026	

Arizona Corporate Office
2801 W. Indian School Rd
Phoenix, AZ 85017
800-255-1901 PH
602-447-8208 FAX

Florida
8100-1 Westside Industrial Dr
Jacksonville, FL 32219
855-695-8899 PH
904-786-9025 FAX

Illinois
2601 Bond St #1
University Park, IL 60484
800-861-6120 PH
708-235-0729 FAX

Oregon
2057 Lars Way
Medford, OR 97501
866-773-7905 PH
541-773-7909 FAX

Colorado
3871 Revere Street
Denver, CO 80239
866-574-1766 PH
303-574-1775 FAX

Utah
2594 S. 3600 West Suite A
West Valley City, UT 84119
877-402-5007 PH
801-972-3111 FAX

ARIZONA SHOWER DOOR

Tools you will need for this install

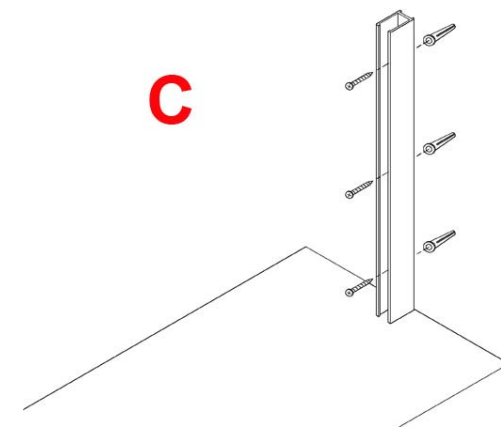
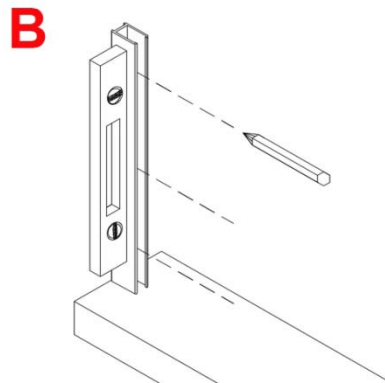
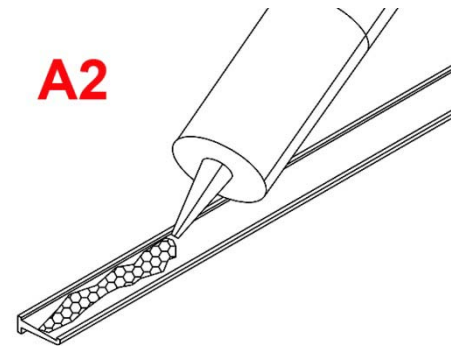
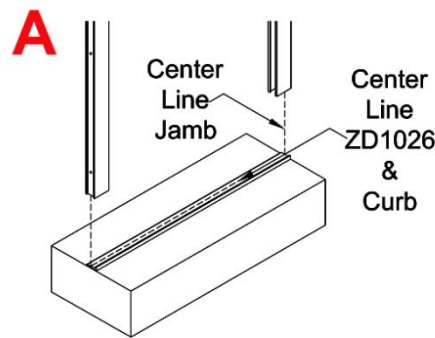
- ✓ Exploded View drawing of shower door
- ✓ 3/16" Masonry drill bit (use 9/64" drill bit for fiberglass)
- ✓ 1/8" drill bit
- ✓ Drill
- ✓ 4' Level
- ✓ Saw (Electric Chop saw or Hacksaw)
- ✓ Side cutting pliers
- ✓ #2 Phillips drill bit
- ✓ #2 Phillips screwdriver
- ✓ Tape Measure
- ✓ Pencil or Pen
- ✓ Caulking Gun
- ✓ 1-Tube of 100% Clear Silicone (no latex!)
- ✓ Vacuum Cleaner or Brush for clean up
- ✓ Glass Cleaner and Paper Towels
- ✓ Rubber Mallet
- ✓ File

Installation Instructions for Model FD

Note: These instructions will refer to the item #'s in the Exploded View drawing. For example, #1, #2, #3 etc...
Please read through **all** of the instructions to get an over-view **before** you install the shower door.

1) Find the centerline of where the unit will be installed. This will usually be the center of the curb of the shower pan. Place a centerline mark at each end of the curb where it meets the wall. Then make a mark $\frac{3}{8}$ " to the outside of the centerline mark. This mark will represent the outside of the ZD1026 Dam Strip (item #22 in exploded view). Measure wall to wall, above the curb, for the dimension of the ZD1026 Dam Strip. Cut to size then apply a bead of silicone to the underneath. Set in place on the curb then use blue tape to hold in place. Place the wall jamb against the wall and on top of the dam strip aligning in the center of the dam strip **(A)**. Use a level to position the jamb plumb, then mark the installation holes with a pen or pencil **(B)**. Repeat this procedure for the other jamb. Now drill the 6 holes with a $\frac{3}{16}$ " masonry bit ($\frac{9}{64}$ " for fiberglass, & without anchors). Then insert the 6)-ZV935 screw anchors (#9) in the holes. Fasten the ZD1006 wall jambs in place using the #8X1-1/4 Phillips Pan Head screws provided (#10). **(C)**

2) Hang the door. Slide the ZD8004 Magnetic Latch Jamb (#3) over the latch side wall jamb.

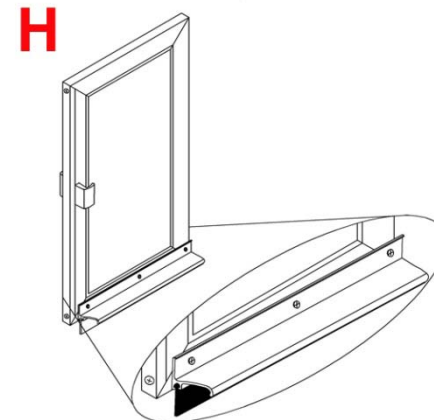
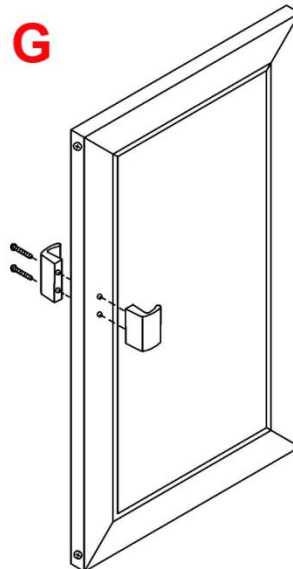
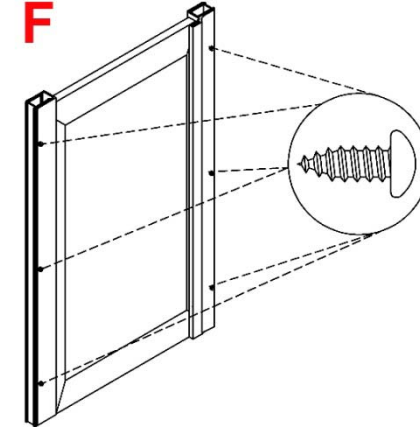
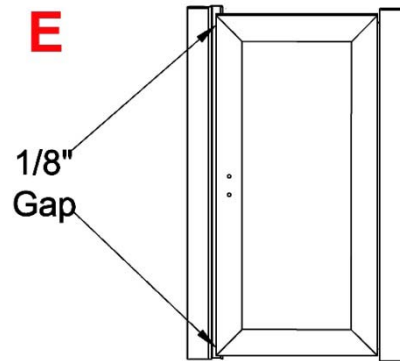
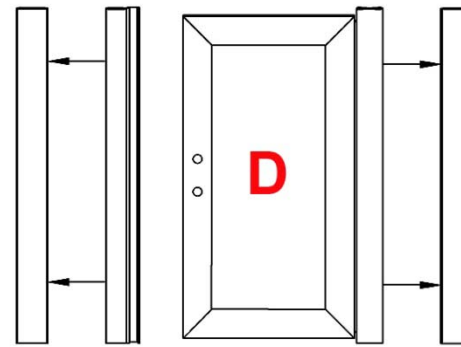


Install the door by sliding the ZD2505A Door Hinge Jamb (#4) over the hinge side wall jamb. Do not fasten the door at this point. **(D)**

3) Note: (It will be helpful to have an assistant at this point to adjust and hold the door in place from the outside while you drill and fasten the latch jamb and the hinge jamb from the inside). Square up the door and align the edge of the door that has the magnetic strip parallel with the latch jamb leaving a 1/8" gap between the two. The door will close against the latch jamb. Adjust so the latch is strong. Plumb the door as well as you can then attach the door **(E)**. Attach the door by drilling the six holes on the inside of the unit where the jambs are pre-drilled using an 1/8" drill bit and secure with the 6-#6X3/8" Pan Head screws (#8) **(F)**

4) Attach the ZD8556 Door Handle (#1) to the door frame (refer to the exploded view drawing) **(G)**.

5) Attach the ZD8008 Drip Rail **(H)** (#12) to the inside bottom door rail. From the inside of the shower. Peel off the protective paper from the adhesive. Position the drip rail 1/2" from the edge (handle side) of the door while maintaining approximately a 1/16" gap from the dam strip and the vinyl sweep. Press on then secure by drilling holes through the sweep and into the bottom door rail. Use #6X3/8" screws to secure. Note: the glass sits down into the bottom rail approximately 3/8 so be careful not to drill into the glass .



6) Place a small amount silicone on the legs of the 2-ZV940 Door Clips (#20) and place down into the top of the 1006's to cap the opening **(I)**. You may have to trim them to fit with side cutters.

7) Run a bead of silicone on the inside and outside where the wall jamb meets the shower wall. Inspect the install and caulk any gap that might let water through. **(J)**

